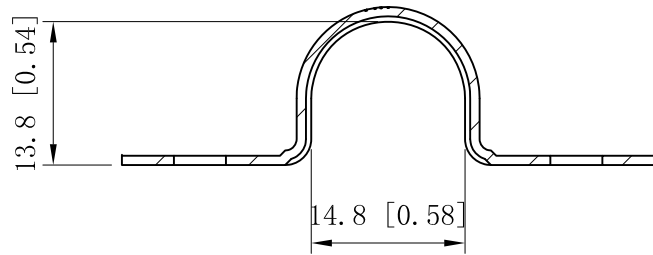
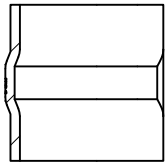
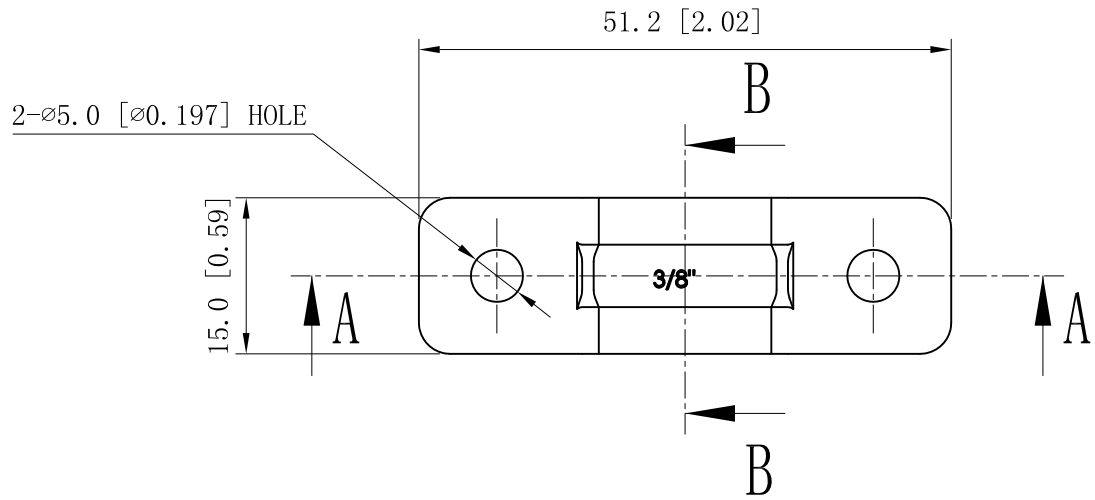
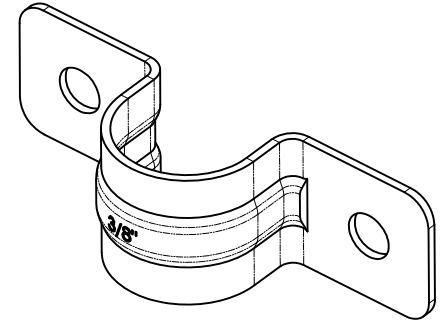


SIDES	BOTTOM
Material: Steel - 0.035" - STAINLESS STEEL 304	



CUTAWAY VIEW A-A



CUTAWAY VIEW B-B

This data sheet is for reference only .GARVIN INDUSTRIES reserves the right to make changes to the design without prior notice.

DESCRIPTION
TRADE REFERENCE TERMS

STANDARD PACKING
50 PCS

<b>GARVIN INDUSTRIES</b>	
TWO-HOLE STRAPS	
SIZE A4	DWG NO. THSS-38
DATA SHEET	