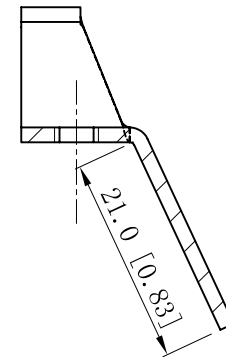
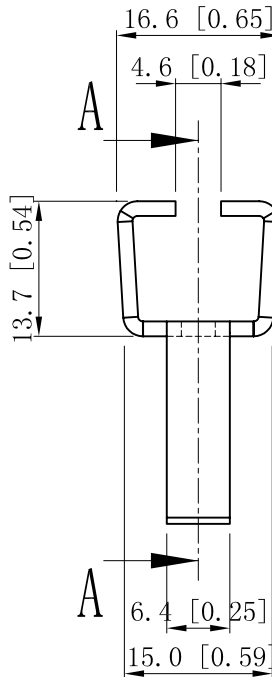
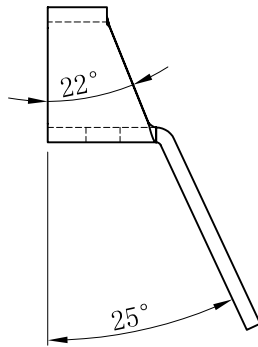
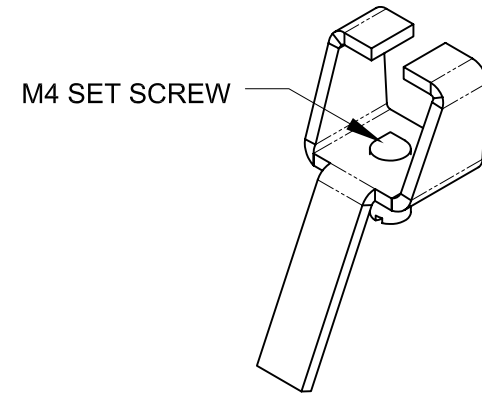
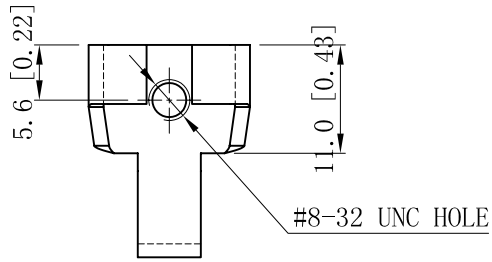


| | |
|---|--------|
| SIDES | BOTTOM |
| | |
| | |
| | |
| 1Pcs M4×12 slotted headless cone point set screw | |
| Material:Steel-0.059"-C. R. S Finish:YELLOW ZINC PLATED | |



CUTAWAY VIEW A-A

This data sheet is for reference only .GARVIN INDUSTRIES reserves the right to make changes to the design without prior notice.

| |
|-----------------------|
| DESCRIPTION |
| |
| |
| TRADE REFERENCE TERMS |
| |

| |
|------------------|
| STANDARD PACKING |
| |

| | | |
|------------------------|---------|-----|
| TITLE | | |
| GARVIN INDUSTRIES | | |
| UNIVERSAL BREAKET LOCK | | |
| SIZE | DWG NO. | REV |
| A4 | UBL1 | B |
| DATA SHEET | | |