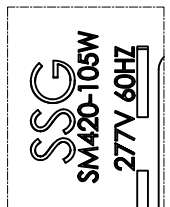
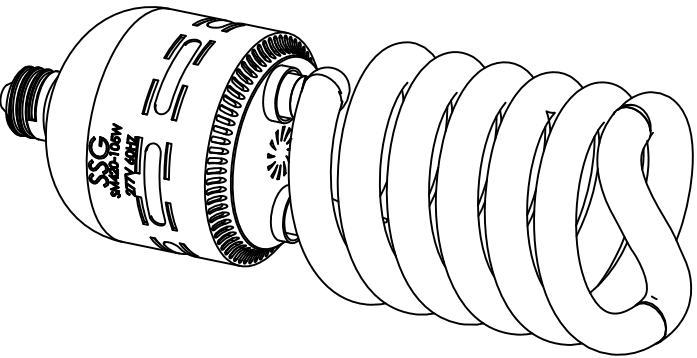
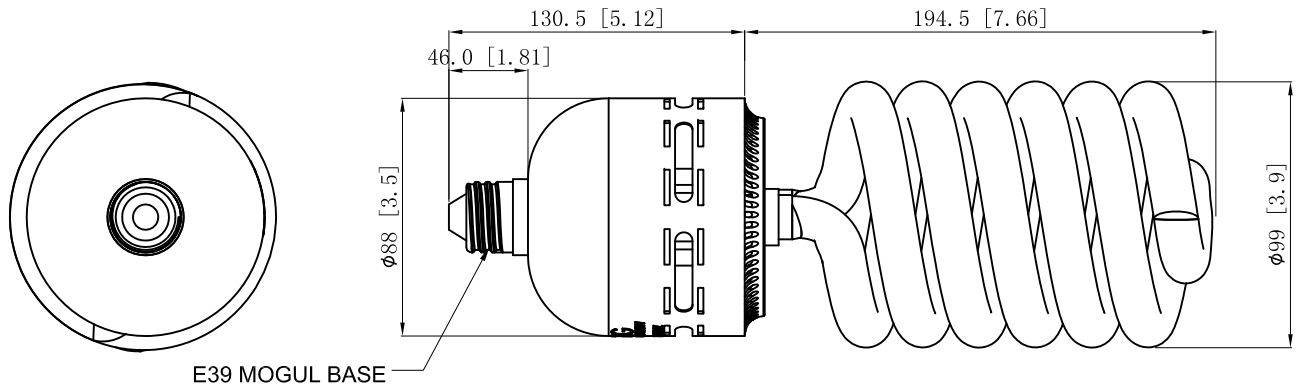
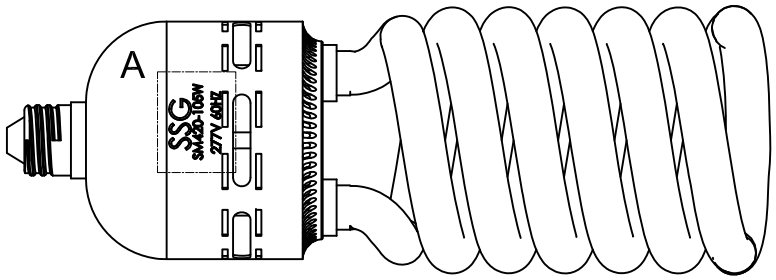


SIDES	BOTTOM



VIEW A 2:1



This data sheet is for reference only .GARVIN INDUSTRIES reserves the right to make changes to the design without prior notice.

DESCRIPTION
TRADE REFERENCE TERMS

STANDARD PACKING
1 PCS

<b>GARVIN INDUSTRIES</b>	
HIGH OUTPUT COMPACT FLUORESCENT LAMPS	
SIZE A4	DWG NO. C105652MOG
DATA SHEET	
REV B	