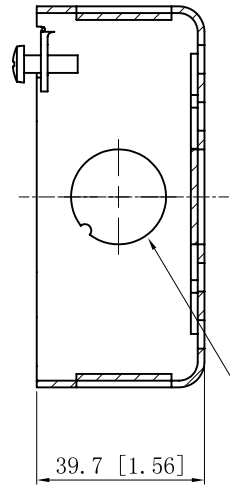
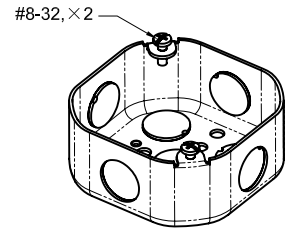
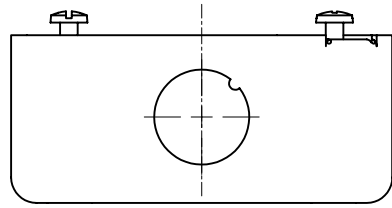
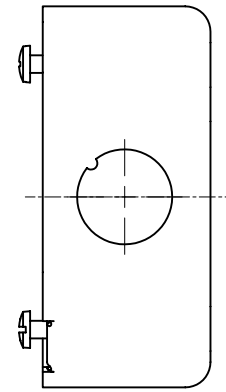
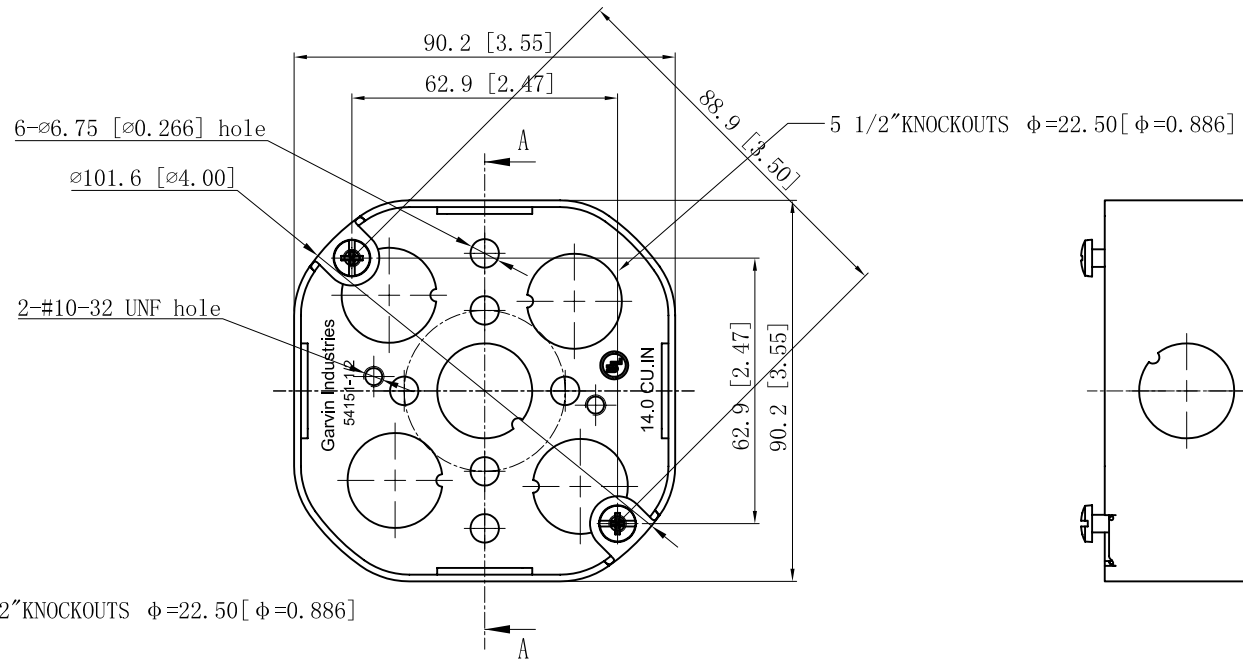


|  |                  |
|--|------------------|
| <b>SIDES</b>                           | <b>BOTTOM</b>    |
| 4 1/2" KNOCKOUTS                       | 5 1/2" KNOCKOUTS |
|  |                  |
|  |                  |
| 2 PCS 8-32×1/2 Screws Installed        |                  |
| Material: Steel-0.0625"-G60 Galvanized |                  |



CUTAWAY VIEW A-A



|                              |
|------------------------------|
| <b>DESCRIPTION</b>           |
|                              |
| <b>TRADE REFERENCE TERMS</b> |
|                              |

|                         |
|-------------------------|
| <b>STANDARD PACKING</b> |
| 50 PCS                  |

This data sheet is for reference only. GARVIN INDUSTRIES reserves the right to make changes to the design without prior notice.

|                              |           |  |     |
|------------------------------|-----------|--|-----|
| <b>GARVIN INDUSTRIES</b>     |           |  |     |
| 4" OCTAGON BOXES 1-1/2" DEEP |           |  |     |
| SIZE                         | DWG NO.   |  | REV |
| A4                           | 54151-1/2 |  | A   |
| DATA SHEET                   |           |  |     |