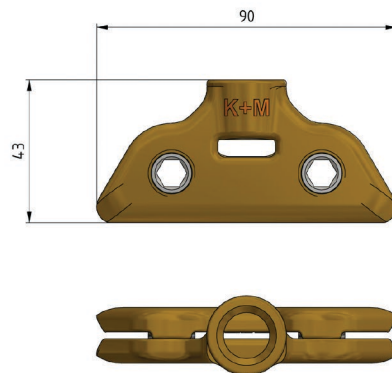
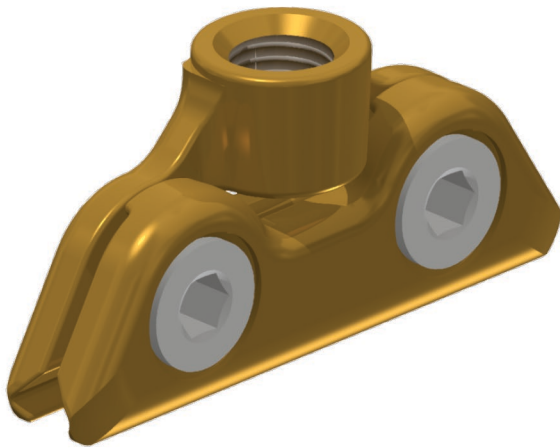


Contact wire clamp ETB with thread M16, for grooved contact wire 100-120 mm²

Item number B0348-04



B0348-01: 5/8"
B0348-02: 1/2"
B0348-03: M12
B0348-04: M16
B0348-05: M10



Dimensions

C: M16
B: 43 mm
A: 90 mm

Material and weight

Material: CuAl

Weight: 0.205 kg

Comments

- For grooved contact wire 80 till 120 mm² (Other contact wire sections on request)
- Tightening torque on installation Counterstunk screw M14 - 40 Nm (29.5 lbf)



Southwire™



A COLAS RAIL COMPANY

Contact Us: Transit@southwire.com