



# Southwire™

## 15A USER ATTACHABLES

Shockshield Right Angle user attachable for OEM connection of cable.



**GFCI WITH 4-6MA TRIP POINT**

**LESS THAN 25MS TRIP RESPONSE TIME**

**MANUAL RESET**

**CAN BE EASILY ATTACHED BY CONNECTING THE GFCI IN SERIES WITH THE SUPPLY CABLE 9 TO 10 INCHES FROM THE PLUG END TO PROVIDE GFCI PROTECTION**



**14880002-6**

APPLICATIONS
Pressure Washers
Drain Snakes
Floor Cleaners
Industrial Appliances
Power Tools
Bumps
Boat Lifts
Extension Cords

MODEL #	ELECTRICAL RATING			CORD GAUGE	ENCLOSURE COLOR	TRIP LEVEL
14880002-6	120V	15A	60Hz	Accepts 18 - 12 AWG (SJT)	YELLOW	4-6mA
14880232-6	120V	15A	60Hz	Accepts 18 - 12 AWG (SJT)	BLACK	4-6mA

TECHNICAL DATA	
CORD	Accepts 18 - 12 AWG (SJT)
GROUNDING NEUTRAL	4 Ohms Typical
VOLTAGE SURGE WITHSTAND	3 Kv Ringwave Test and 4Kv/2Ka Surge Immunity Test
RADIO FREQUENCY NOISE SUSCEPTABILITY	Operates Within Normal Limits With 0.5 Volts Injected On Power Line 150Khz-230Mhz
ENDURANCE	3,000 Operations Minimum
OVERLOAD CURRENT	Six Times Rated Current
OPERATING TEMPERATURE RANGE	-35°C to 66°C
EFFECT OF 10 AMP TURN DC SOCK FAULT TRIP	5% Maximum Trip Level Variation on Ground
INSULATION VOLTAGE	1500 Vrms - 1 Min.
POWER INDICATION	Mechanical Indicator

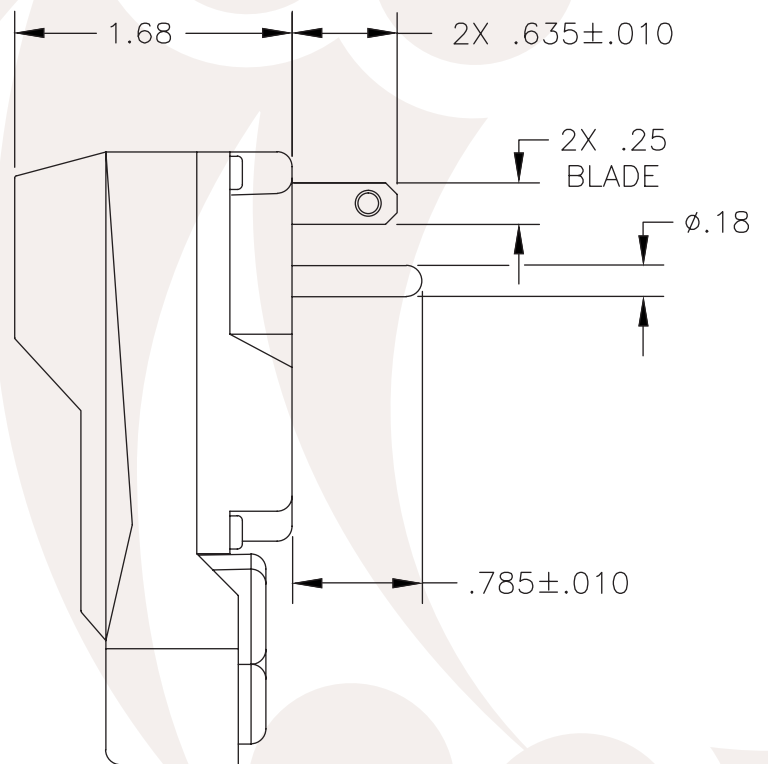
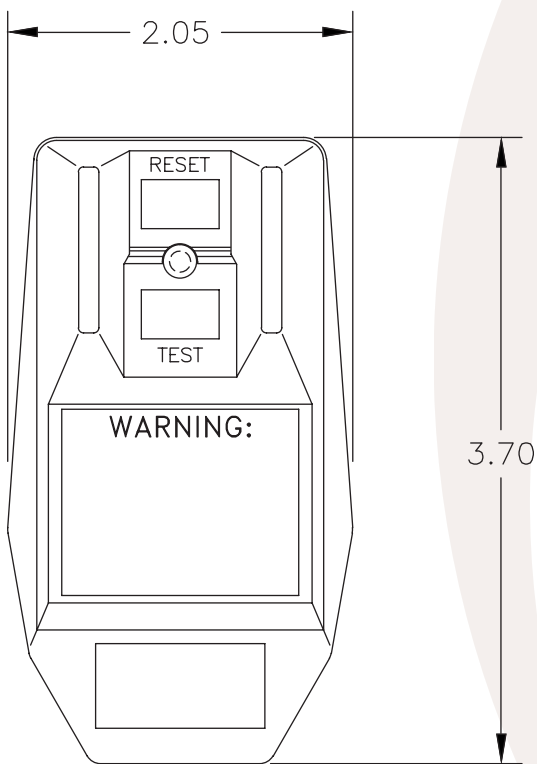
**BUILT FOR DURABILITY.  
BUILT FOR RELIABILITY.  
BUILT FOR WORK.™**

**1-855-798-6657 | SOUTHWIRE.COM**

©2023 Southwire Company, LLC. All rights reserved.  
\*Registered Trademark & ™Trademark of Southwire Company, LLC.



# Southwire™



**BUILT FOR DURABILITY.  
BUILT FOR RELIABILITY.  
BUILT FOR WORK.™**

1-855-798-6657 | [SOUTHWIRE.COM](http://SOUTHWIRE.COM)

©2023 Southwire Company, LLC. All rights reserved.  
\*Registered Trademark & ™Trademark of Southwire Company, LLC.