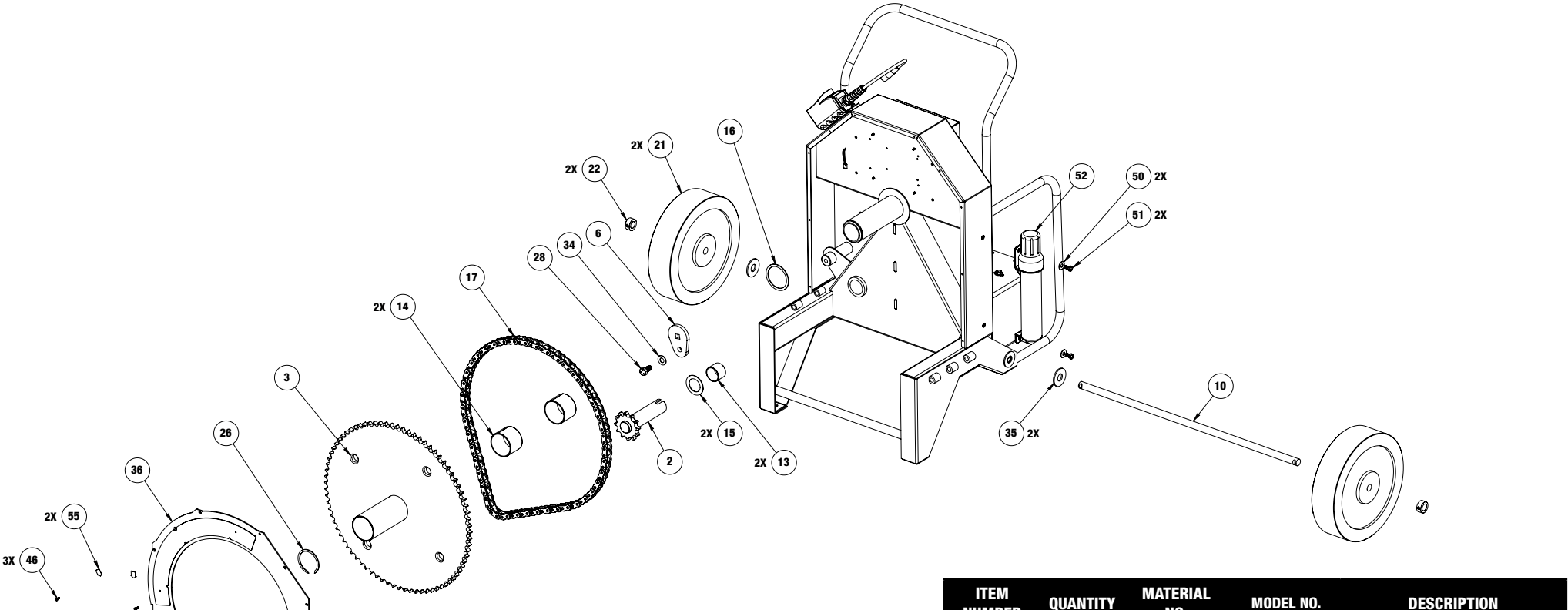
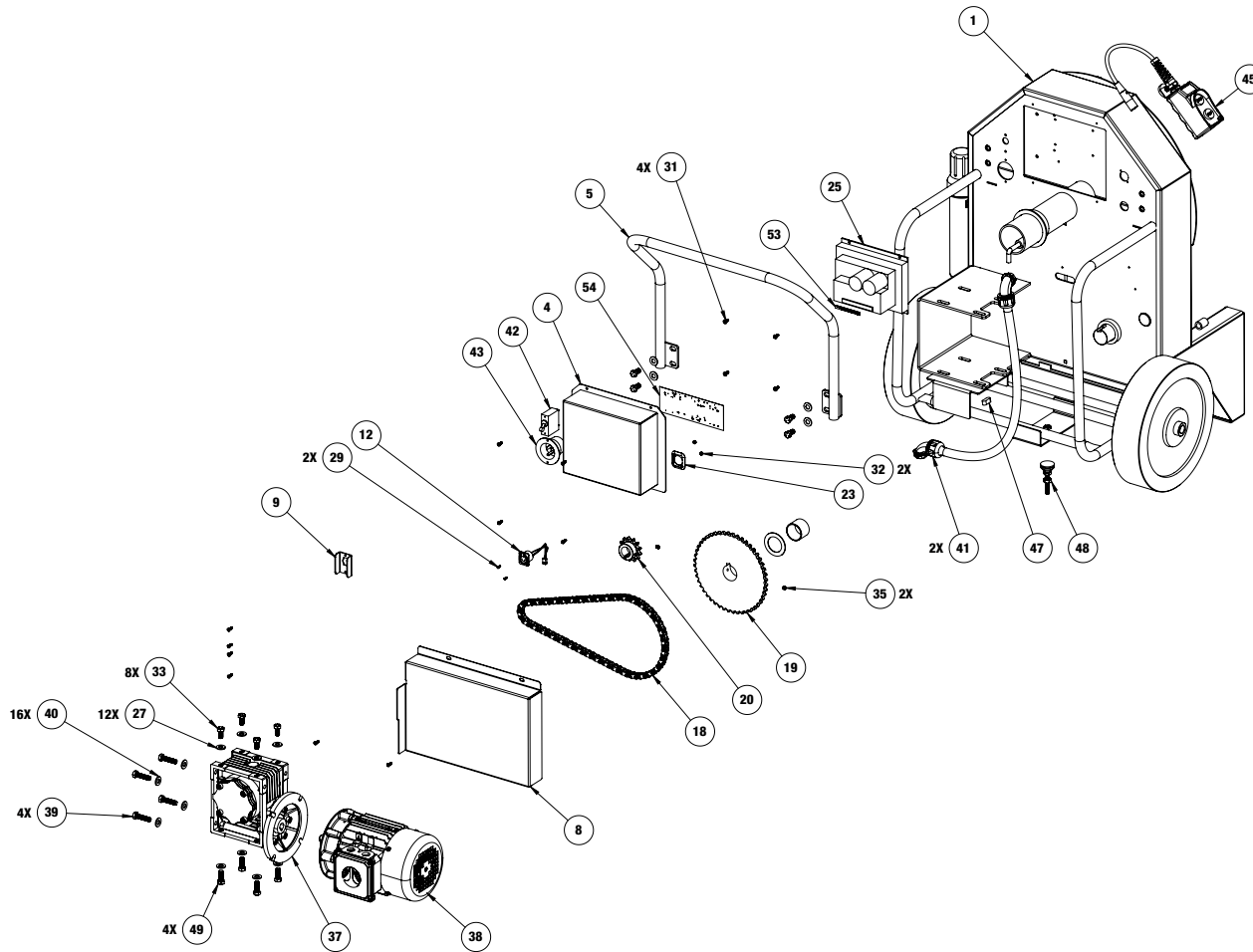


MSB2000 MULTISHOE BENDER PARTS DIAGRAM



ITEM NUMBER	QUANTITY	MATERIAL NO.	MODEL NO.	DESCRIPTION
2	1	67056340	MSB2000-2	MSB2000, FINAL DRIVE
3	1	67056640	MSB2000-3	MSB2000, DRIVE, SHOE
6	1	67057540	MSB2000-6	MSB2000, TENSIONER, CHAIN
10	1	67058740	MSB2000-10	MSB2000, AXLE, BENDER
13	2	67059340	MSB2000-13	BEARING, 1.5 X 1.25, METAL BACKED PTFE
14	2	67059640	MSB2000-14	BEARING, 2.5 X 3.0, METAL BACKED PTFE
15	2	67059940	MSB2000-15	WASHER, NYLON, 1.5 X 2.25 X .063
16	1	67060240	MSB2000-16	WASHER, NYLON, 2.5 X 3 X .063
17	1	67060540	MSB2000-17	MSB2000, CHAIN, NO 60, 64 1/2 LONG
21	2	66961640	MSB2000-21	MSB2000, WHEEL, PLASTIC HUB, 12"
22	2	6432K21	McMaster	COLLAR, SHAFT, .75" DIA, SET SCREW, ZPS
26	1	66962840	MSB2000-26	RETAINING RING, W/O TANG, EXT, 2 1/2
28	1	92865A712	McMaster	SCREW, .50"-13X1.00" L HHZPS
30	18	92115A228	McMaster	SCREW, #8-18X.50" L, THREAD FORMING, TYPE B, PHPHBZPS
34	1	9012A033	McMaster	WASHER, FLAT, - SAE, .531" ID, 1.062" OD, ZPS
35	2	90108A036	McMaster	WASHER, - FLAT, USS, .812" ID, 2.00" OD, ZPS
36	1	66963140	MSB2000-36	MSB2000, COVER, FRONT SPROCKET, WELDMENT
46	3	90055A294	McMaster	SCREW, #8-18X.50" L, THREAD FORMING, TYPE B, FHPPBZPS
50	2	90126A030	McMaster	WASHER, - FLAT, .344" ID, .688" OD, ZPS
51	2	92865A580	McMaster	SCREW, .3125"-18X.625" L, HHZPS, GRADE 5
52	1	67015740	MSB2000-52	CONTAINER, MANUAL, MSB2000
55	2	5897T15	McMaster	MAGNETIC ARROW, YELLOW, .75" X .75"

MSB2000 MULTISHOE BENDER PARTS DIAGRAM



ITEM NUMBER	QUANTITY	MATERIAL NO.	MODEL NO.	DESCRIPTION
4	1	67056940	MSB2000-4	MSB2000, COVER, ELECTRICAL ENCLOSURE
5	1	67057240	MSB2000-5	MSB2000, HANDLE, WITH MOUNTS
8	1	67058140	MSB2000-8	MSB2000, COVER, REAR CHAIN
9	1	67058440	MSB2000-9	MSB2000, PROTECTIVE COVER, SWITCH
12	1	67059040	MSB2000-12	MSB2000, CABLE, PENDENT, INPUT
18	1	66960740	MSB2000-18	MSB2000, CHAIN, NO 40, 38 LONG
19	1	66961040	MSB2000-19	MSB2000, SPROCKET, NO 40, 48 TOOTH
20	1	66961340	MSB2000-20	MSB2000, SPROCKET, NO 40, 13T, 1 BORE
23	1	66961940	MSB2000-23	MSB2000, GASKET, BLACK RUBBER, XLR CONN
25	1	66962540	MSB2000-25	MSB2000, MOTOR CONTROL UNIT
29	2	90273A108	McMaster	SCREW, 4-40X.375" L, FH PHZPS
31	4	90056A242	McMaster	SCREW, #10-16X.50" L, THREAD FORMING, TYPE B, PH PHZPS
32	2	90631A005	McMaster	NUT, NYLON LOCK, 4-40, ZPS
33	8	92865A622	McMaster	SCREW, .375"-16X.75" L, HHZPS
37	1	66963440	MSB2000-37	MSB2000, GEARBOX, WITH INSERTS
38	1	66963740	MSB2000-38	MSB2000, MOTOR, 1HP, 240/480VAC, 3PH
39	4	92865A628	McMaster	SCREW, .375"-16X1.50" L, HHZPS
40	4	90126A031	McMaster	WASHER, FLAT, SAE, .406" ID, .812" OD, ZPS
41	2	66964040	MSB2000-41	MSB2000, CONDUIT W/ FITTING, 90
42	1	66964340	MSB2000-42	MSB2000, CIRCUIT BREAKER, 30A
43	1	66964640	MSB2000-43	MSB2000, POWER INLET, 120VAC, 15A
45	1	66964940	MSB2000-45	MSB2000, PENDANT ASSEMBLY
47	1	95053A952	McMaster	KEY, ROUND-ED, .375" X .375" X 1.00" L, ZPS
48	1	6111K163	McMaster	LEVELING MOUNT, SWIVEL, STUD 5-16"-18X2" L, ZPS
49	4	92864A624	McMaster	SCREW, .375"-16X1.00" L, HHZPS
53	1	67016040	MSB2000-53	LABEL, VERIFIED VFD SETTING, MSB2000
54	1	67016340	MSB2000-54	LABEL, VFD POTENTIOMETER, MSB2000
27	12	90126A031	McMaster	WASHER, FLAT, SAE, .406" ID, .812" OD, ZPS