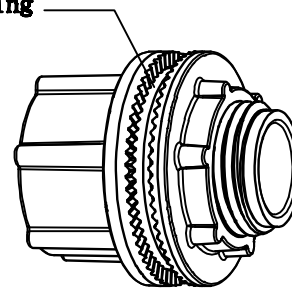


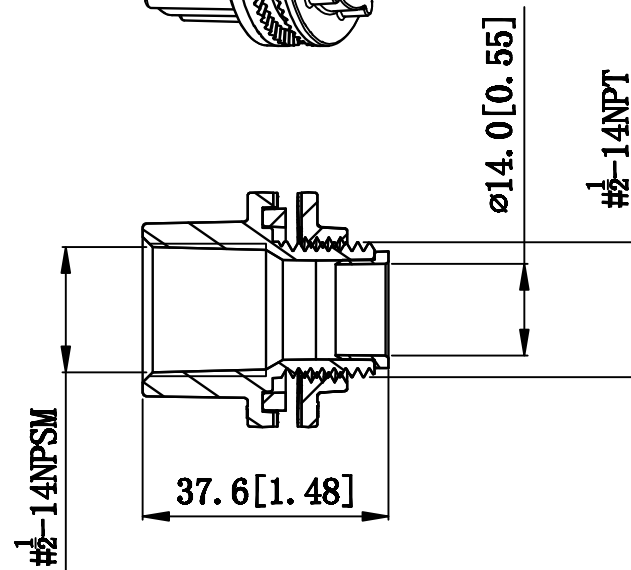
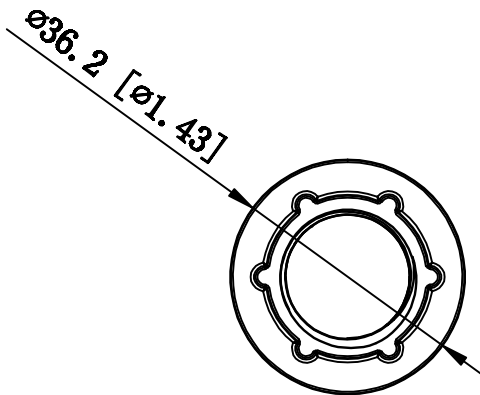
SIDES	BOTTOM
1 Pcs TWH-50 Sealing ring	
1 Pcs TWH-50 With Insulated throat	

REVISIONS			
SYM.	BY.	REVISIONS	DATE
A.			

TWH-50 Sealing ring



TWH-50 With Insulated throat



NOTES:

- 1.All dimensions in millimeters and [inches];
- 2.Free of sharp edge and burrs.max burr 0.5[0.0196].

UNLESS OTHERWISE SPECIFIED DIMENSIONS ARE IN MILLIMETERS TOLERANCES ARE: X.X ±0.04[±0.1] X.XX ±0.02[±0.008] X.XXX ±0.008[±0.0003]	NAME	DATE	GARVIN INDUSTRIES TITLE		
	DRAWN CHECKED APPROVED (A) APPROVED (Customer)				
MATERIAL ZN-ALK	FINISH	THIS DRAWING IS THE PROPERTY OF GARVIN INDUSTRIES AND IS LOANED TO YOU FOR YOUR USE ONLY. IT IS NOT TO BE REPRODUCED OR COPIED WITHOUT WRITTEN PERMISSION FROM GARVIN INDUSTRIES. ALL RIGHTS TO DESIGN AND INVENTION ARE RESERVED BY GARVIN INDUSTRIES. PERMISSION OF THE COMPANY IS REQUIRED FOR REUSE OF THE DRAWING.	SIZE A4	DWG NO. WH50	REV
THIRD ANGLE PROJECTION 	DO NOT SCALE DIMENSIONS INTERPRET PER ANSI Y14.5M-1994	SCALE: 1:1	PRINT DATE	REFERENCES	SHEET 1 OF 1