



Southwire™

FSC TYPE BOXES

DOUBLE

FEATURES

- Mounting feet enable easy installation
- Accommodates standard covers and accessories
- Surface mounted electrical box which has one conduit entrance hub in each of the two opposite walls of the box

APPLICATIONS

- Use for straight line conduit runs, splices and through terminations
- Uses double gang electrical device cover

STANDARD MATERIAL

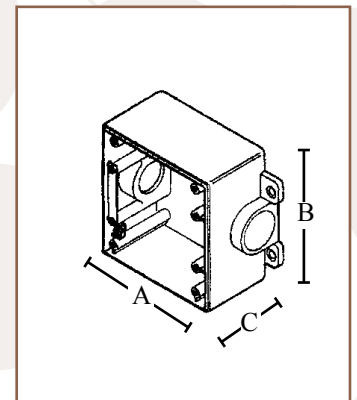
- PVC



1291



PART #	SIZE	MASTER QTY.	WEIGHT/ CASE (LBS.)	A	B	C
1291	1/2"	5	4	4.5625"	4.5625"	2.375"
1292	3/4"	5	4	4.5625"	4.5625"	2.375"
1293	1"	5	3	4.5625"	4.5625"	2.375"



Rev. 0, 06/23

**BUILT FOR DURABILITY.
BUILT FOR RELIABILITY.
BUILT FOR WORK.™**

1-855-798-6657 | SOUTHWIRE.COM

©2023 Southwire Company, LLC. All rights reserved.
*Registered Trademark & ™Trademark of Southwire Company, LLC.