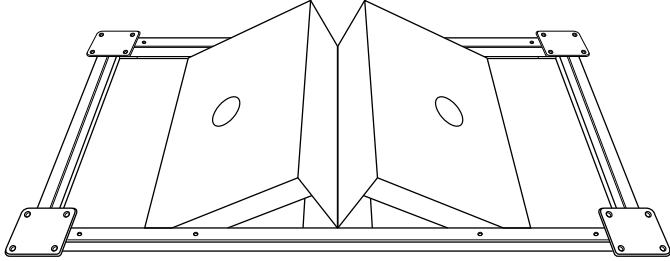


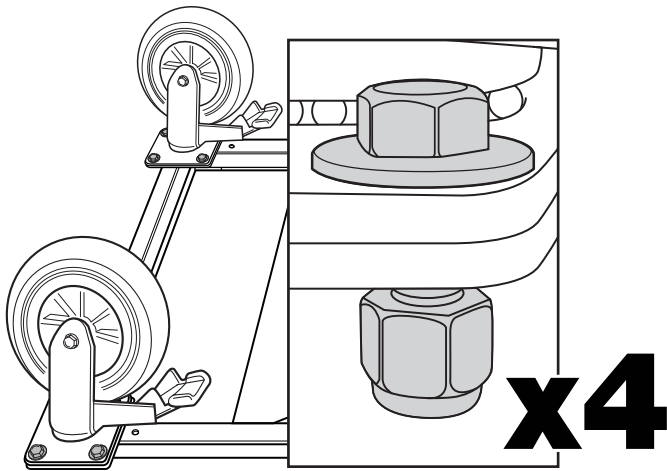
MODEL# CK-01 SET UP INSTRUCTIONS

SETUP AND OPERATION

1. Remove base from pallet and rest on top to install (4) casters.

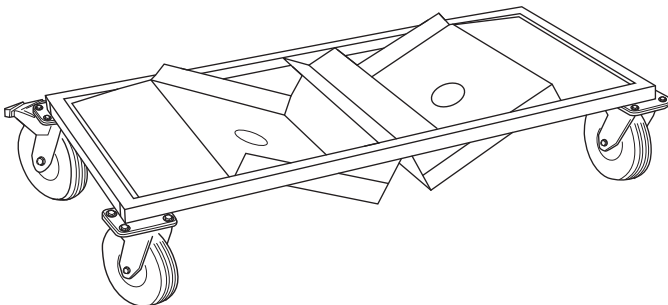


2. Each caster will take 4 each 3/8 x 1" Bolt, nylon lock nut & Flat Washer, as shown here.

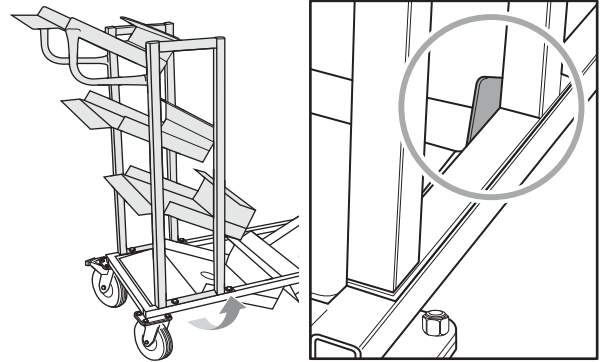


CAUTION: Do not over-tighten nylon lock nut, it will reduce holding ability.

3. Place base on ground, casters down.



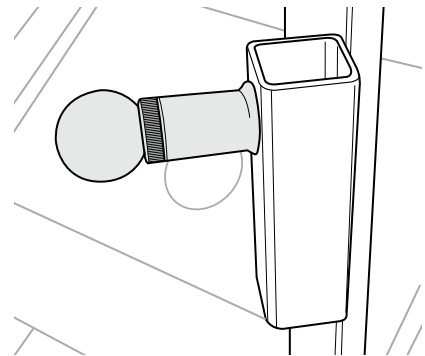
4. Place 1 of 2 up-right sections on the base. Install with a rotating motion to get around bottom tray "ears" as shown below.



5. Fasten uprights to base using (1) 5/16 x 2" bolt, a 5/16" washer above and below frame, and (1) 5/16" nylon lock nut. Repeat step for 2nd upright



6. If not already installed, thread Pop-Pin into receptacle, as shown below. Optional: Use a drop of Loctite 242 for greater security.



Scan for more information
and to register this product.

Para mayores informes, y para
registrar este producto, escanee
este código

CAUTION: Please READ and UNDERSTAND all of the instructions and safety information in these instructions and observe safe working practices before operating or servicing this tool.

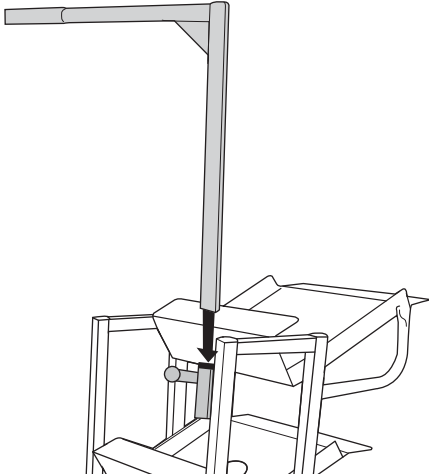
Product distributed by Southwire Company, LLC
Producto distribuido por Southwire Company, LLC

Call: 855-SWTOOLS (855-798-6657) or visit www.southwiretools.com
Llame al 855-SWTOOLS (855-798-6657) o visite www.southwiretools.com

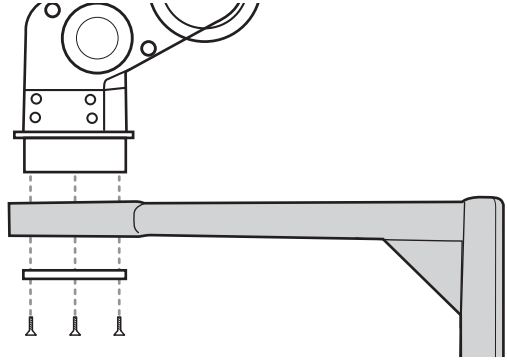
MODEL# CK-01 SET UP INSTRUCTIONS

SETUP AND OPERATION

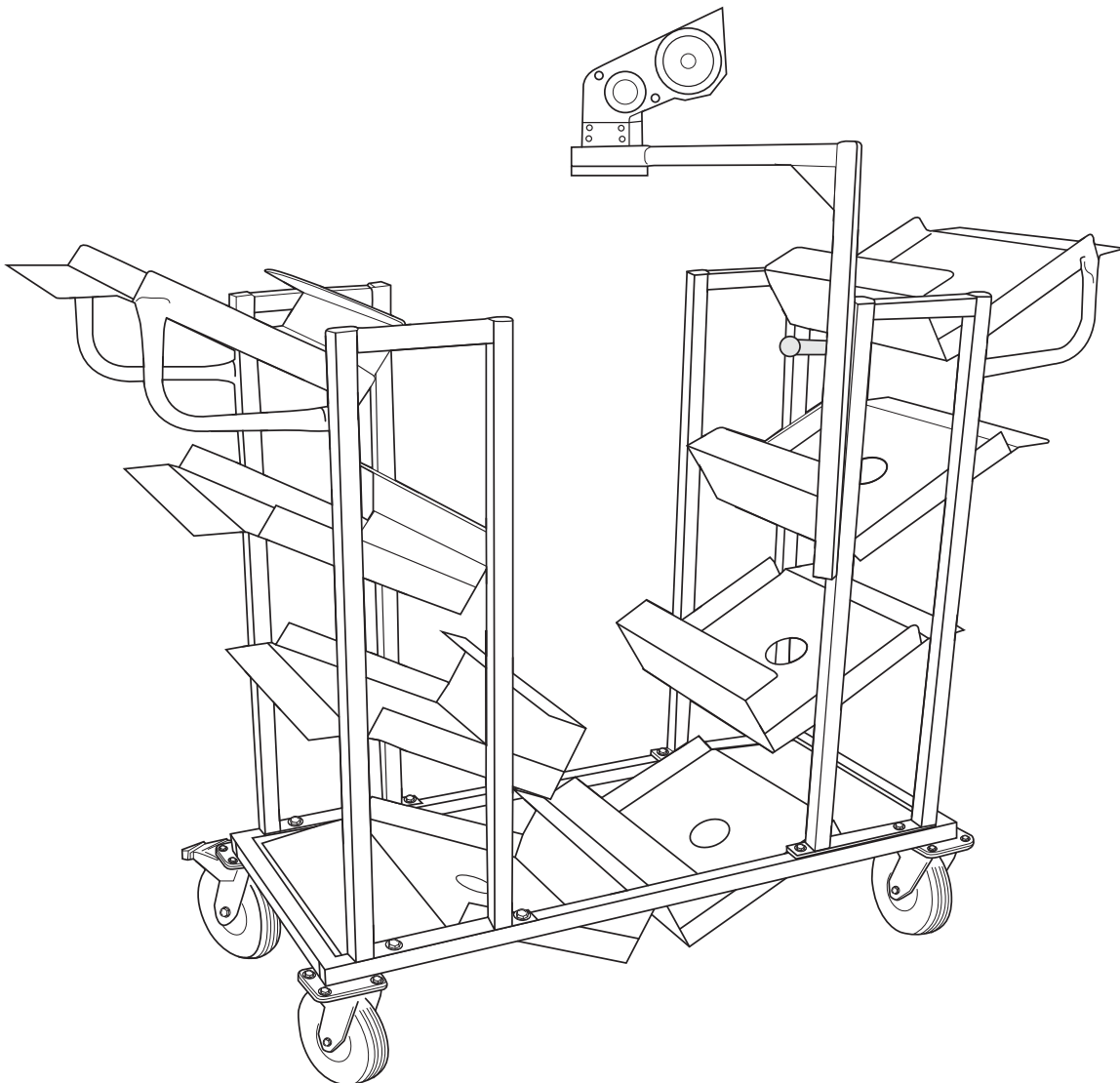
7. Insert Roller Guide Arm into socket with Pop-Pin.
Adjust to lowest position for easier access on next step.



8. Remove Roller Guide from labeled box. Remove (3) Phillips screws & retaining ring from bottom, then place in ring on Arm
9. Re-align holes in retaining ring with bottom of Roller Guide then re-install 3 Philips screws.



FINISHED COIL-PAK CART



MODEL# CK-01 SET UP INSTRUCTIONS

WARRANTY INFORMATION

LIMITED WARRANTY

WARRANTY ON SOUTHWIRE CONTRACTOR EQUIPMENT

With respect to new Southwire Contractor Equipment (“SCE”; formerly known as Maxis) products, Southwire Company, LLC warrants as follows: Each SCE product will be free from defects in materials and workmanship for a period of one year from the date on which the product is delivered to the end user. This warranty does not cover normal wear and tear resulting from product use, nor does it cover damage arising out of misuse, abuse, modification, and/or improper product maintenance. This warranty also does not cover SCE products that have been modified by any party other than Southwire Company, LLC. This limited warranty is not transferrable to or enforceable by any person other than the product’s original end user.

Southwire will, at its option, repair or replace defective products or defective product components, free of charge. Defective products and product components should be shipped to Southwire at the below address. Southwire will cover standard freight charges (i.e., parcel post or UPS Ground rate) incurred in connection with products that Southwire ultimately determines to be defective.

Southwire will ship repaired or replacement products to the distributor, freight prepaid. The remedy set forth in this Limited Warranty section constitutes the distributor’s and original end user’s exclusive remedy for defective SCE products.

SOUTHWIRE MAKES NO WARRANTY THAT SCE PRODUCTS WILL BE MERCHANTABLE OR FIT FOR ANY PARTICULAR PURPOSE. SOUTHWIRE MAKES NO OTHER WARRANTY, EXPRESSED OR IMPLIED, OTHER THAN THE WARRANTY SPECIFICALLY SET FORTH IN THIS LIMITED WARRANTY SECTION. SOUTHWIRE WILL NOT BE LIABLE FOR ANY INCIDENTAL, CONSEQUENTIAL, INDIRECT, SPECIAL, OR PUNITIVE DAMAGES FOR ANY BREACH OF THIS LIMITED WARRANTY.

DISTRIBUTOR WARRANTY CLAIM PROCEDURE

1. All warranty claims must be pre-approved by the Southwire Contractor Equipment (“SCE”; formerly known as Maxis) Warranty Department.
2. All end user warranty claims must be handled through Distributor.
3. Warranty claims limited to replacement or repair of defective items per the Limited Warranty above. Distributor credit will not be issued.
4. Distributors must obtain a written Product Return Authorization before returning any allegedly defective product to Southwire. All returned products must be accompanied by a copy of the Product Return Authorization.
5. Products and accompanying Product Return Authorizations should be shipped to Southwire at the below address.
6. The product serial number and the original date of delivery must be set forth on the Product Return Authorization.
7. All defective components and defective products that Southwire replaces under the Limited Warranty will become Southwire’s property and will be retained by Southwire.

CUSTOMER SERVICE

For all warranty, customer service, and product return authorizations and inquiries, please contact SCE at:

Southwire™ Tools & Assembled Products Division
840 Old Bremen Road
Carrollton, GA, 30117
Phone Number: 1.855.SW.Tools