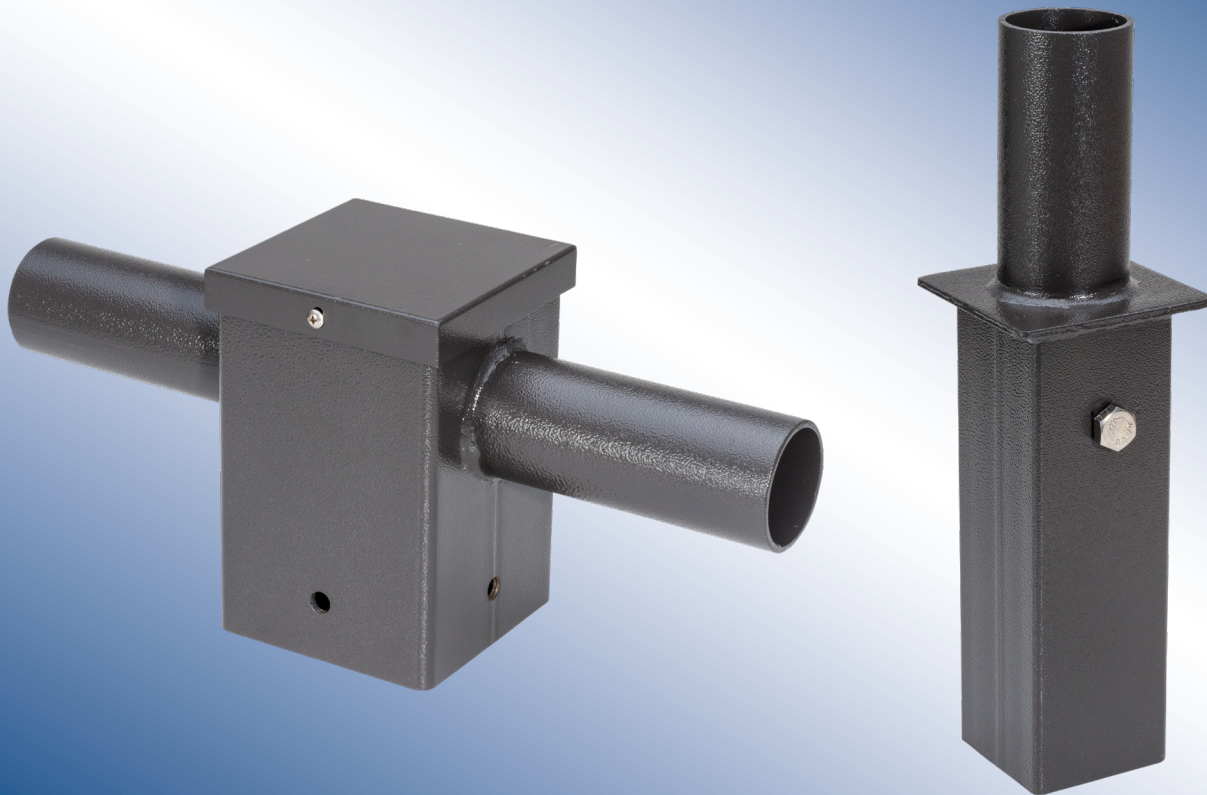


Square Pole to Tenon Adapter FOR AREA & FLOOD LIGHTS



Topaz Makes it Easy to Adapt

Topaz's Square Pole to Tenon Adapters allow easy conversion of poles to tenons to securely mount area and flood lights to steel or concrete poles. Made of A500 grade B steel, these adapters are heavy-duty to hold up to 110 lbs. and are wet location rated to withstand harsh weather conditions.

FEATURES

- Constructed from A500 grade B steel
- Bronze finish
- Wet location rated
- Includes (4) M12x30mm screws

APPLICATIONS

- For use with area and flood lights
- For use with steel and concrete poles



Job Name/Title: _____ Catalog Number _____

Contractor: _____ Notes: _____

Square Pole to Tenon Adapter FOR AREA & FLOOD LIGHTS

GENERAL SPECIFICATIONS

Construction: A500 grade B steel

Mounting Hardware: Includes (4) M12x30mm screws

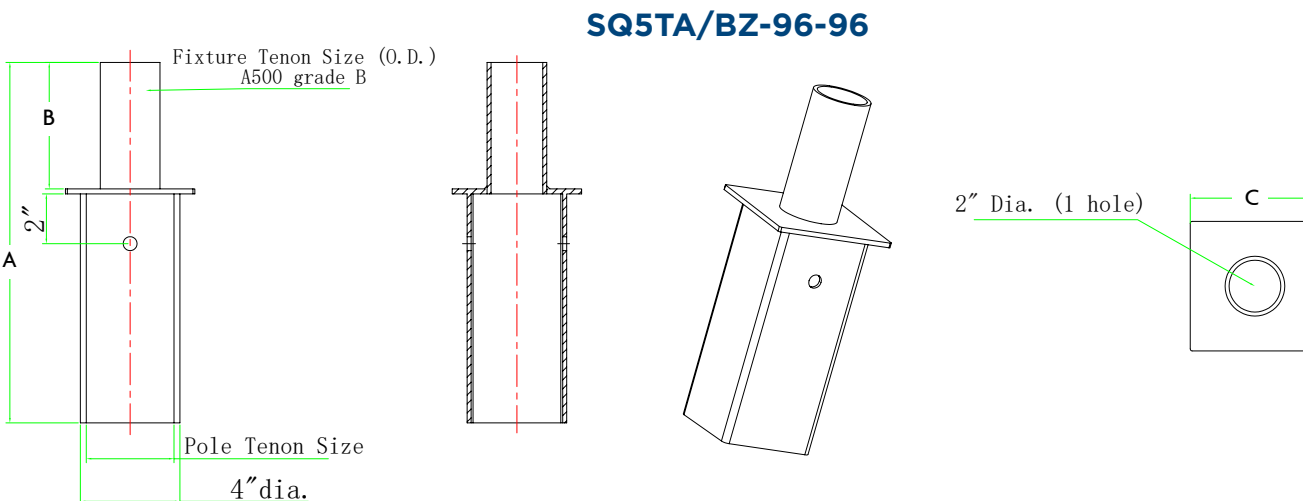
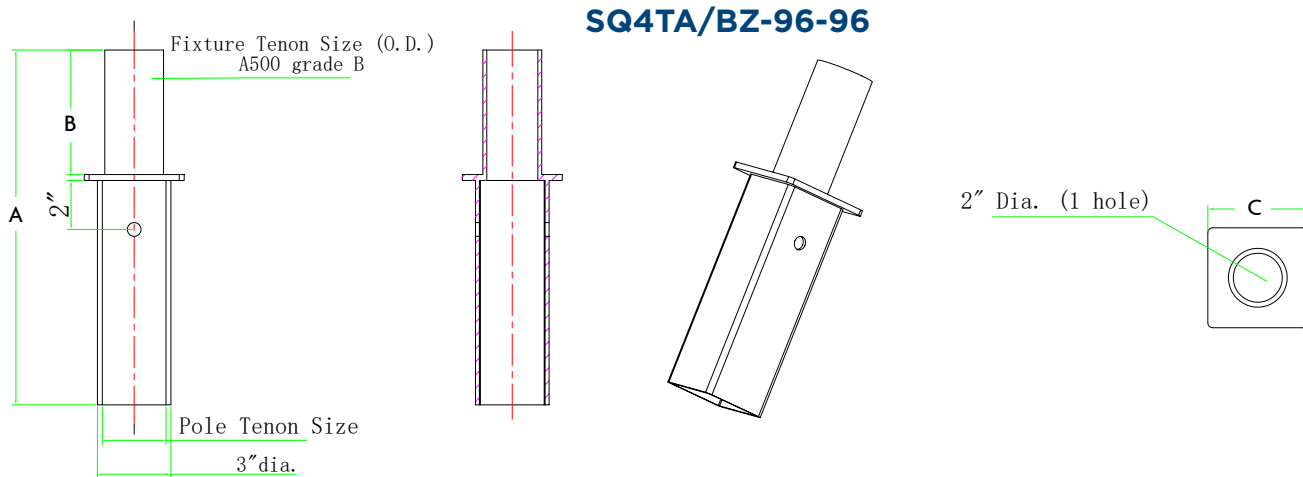
Location Rating: Wet

ITEM SPECIFICATIONS / ORDER INFO

Catalog Number	Order Code	UPC	DIM A	DIM B	DIM C	Fixture Tenon Size (I.D.)	Pole Tenon Size (O.D.)	Unit Weight	Maximum Load Weight (Per Fixture)
SQ4TA/BZ-96	70755	751338038813	14 1/4"	5"	4"	2 3/8"	3"	6.61 Lbs.	110 Lbs.
SQ5TA/BZ-96	70760	751338038820	14 1/4"	5"	5 1/8"	2 3/8"	4"	7.93 Lbs.	110 Lbs.
SQ4TA2/BZ-96	70764	751338038837	16 1/2"	7 1/4"	4 3/4"	2 3/8"	4 3/8"	11.02 Lbs.	110 Lbs.
SQ5TA2/BZ-96	70784	751338038851	16 1/2"	7 1/4"	5 7/8"	2 3/8"	5 1/2"	13.23 Lbs.	110 Lbs.

NOMENCLATURE

SQ = Square Pole 4 = 4 inch TA = Tenon Adapter 2 = Double Tenon / BZ = Bronze Finish
5 = 5 inch



NOTES:

The mounting arms and tenon adapters are designed for applications in areas of normal winds. Consult a qualified engineer prior to the design of systems on structures or areas known to have abnormal winds such as airports, bridges, or coastal areas. Failure to consider these factor in the system design could result in the failure of the pole or mast arm, and consequently personal injury or property damage.

Specifications subject to change without prior notice.

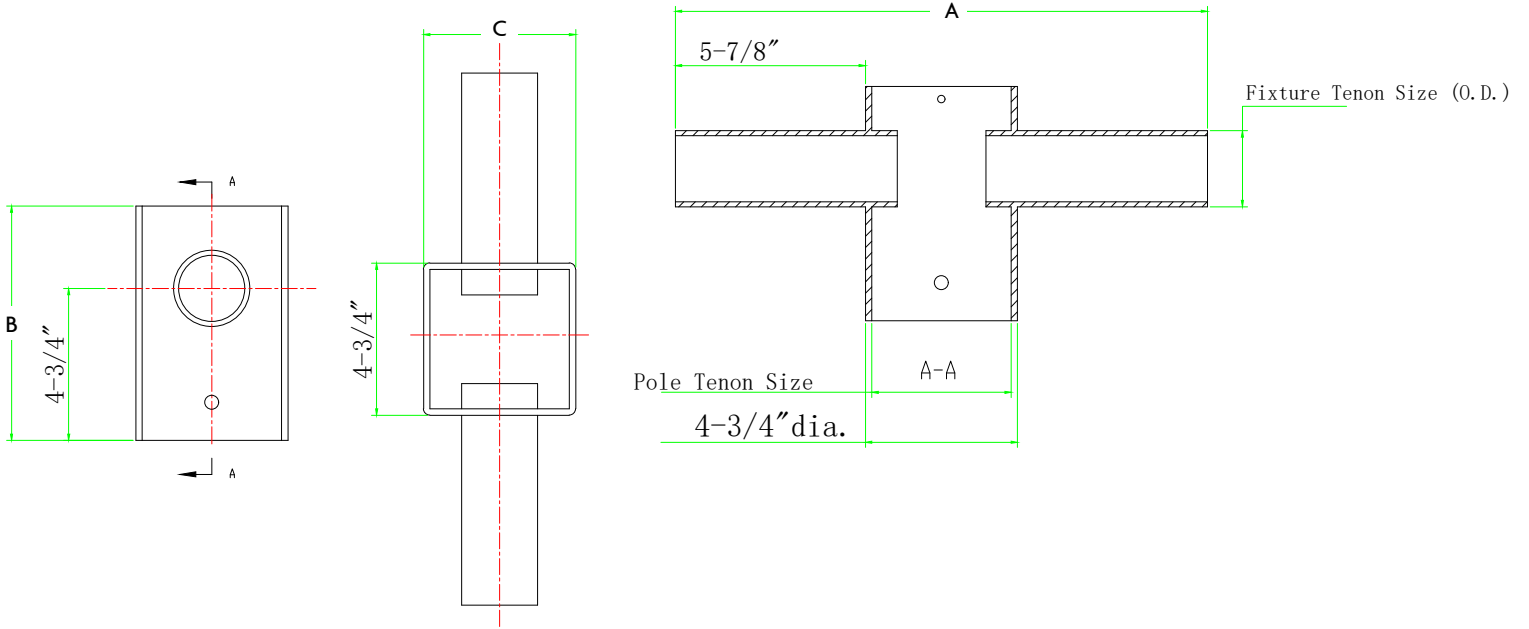
WARNING: Some products included in this specification sheet may be subject to the warning requirements of California's Proposition 65. Please refer to your product packaging for more information.



March 2021

Surface Mount Brackets FOR AREA & FLOOD LIGHTS

SQ4TA2/BZ-96-96



SQ5TA2/BZ-96-96

