



# Southwire™

## DIE CAST ALUMINUM BOXES SINGLE GANG BOXES 4 HOLE

### FEATURES

- 18 cubic inch capacity
- 1/2" or 3/4" threaded hub
- Superior commercial quality die cast metal construction
- Boxes include closure plugs, grounding screws and mounting lugs
- Installation instructions included
- Gray, bronze and white

### APPLICATIONS

- UL listed for wet locations
- For wall or pole mounting of outdoor outlets, switches or floodlights

### STANDARD MATERIAL

- Copper free aluminum

### STANDARD FINISH

- Premium powder coat finish

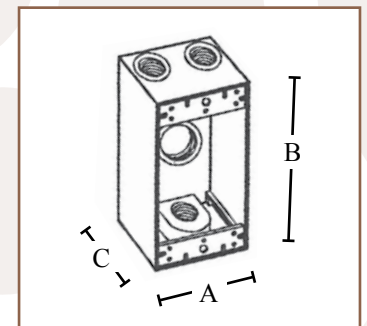


WB1450



UL® Listed and 2011 NEC® and  
NEMA® 3R Compliant

PART #	THREADED HUB	COLOR	MASTER QTY.	WEIGHT/CASE (LBS.)	A	B	C
WB1450	1/2"	GRAY	25	14	2.81"	4.56"	2"
WB1450B	1/2"	BRONZE	25	14	2.81"	4.56"	2"
WB1450W	1/2"	WHITE	25	14	2.81"	4.56"	2"
WB1475	3/4"	GRAY	25	14	2.81"	4.56"	2"



Rev. 0, 06/23

**BUILT FOR DURABILITY.  
BUILT FOR RELIABILITY.  
BUILT FOR WORK.™**

1-855-798-6657 | SOUTHWIRE.COM

©2023 Southwire Company, LLC. All rights reserved.  
\*Registered Trademark & ™Trademark of Southwire Company, LLC.