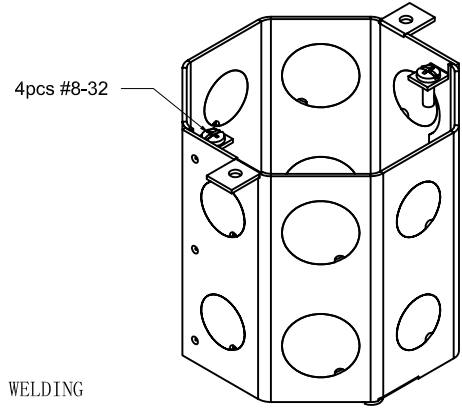
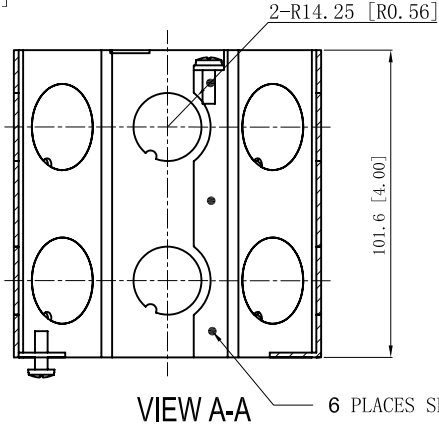
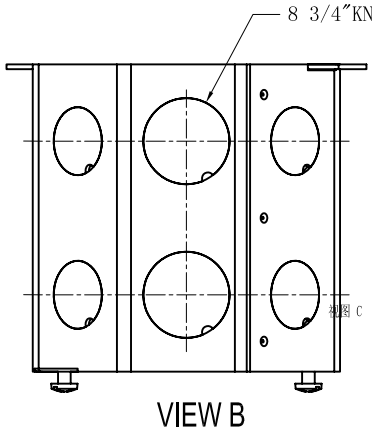
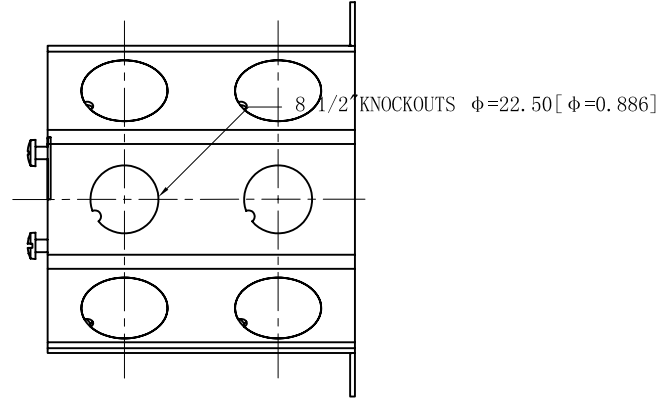
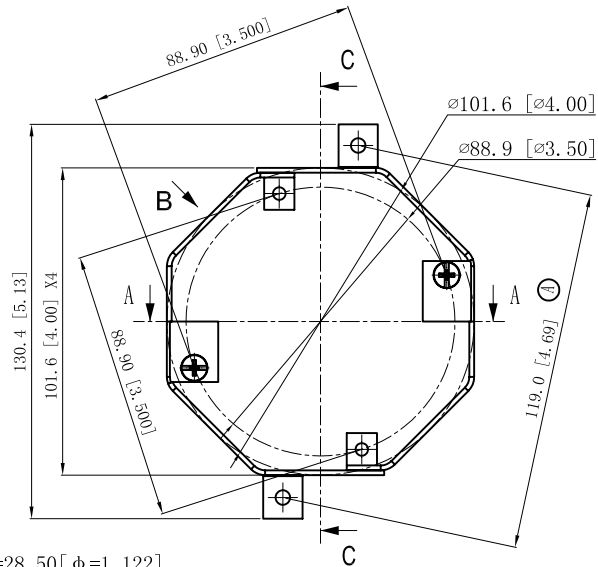
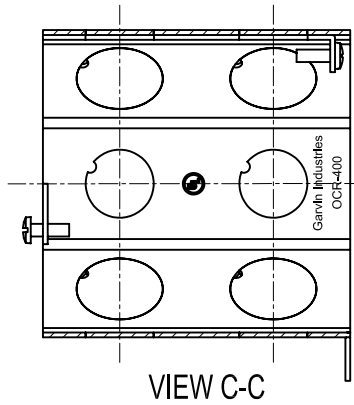


<b>SIDES</b>	<b>BOTTOM</b>
8 1/2" KNOCKOUTS	
8 3/4" KNOCKOUTS	
4 PCS 8-32×1/2 Screws Installed	
Material: Steel-0.0625"-G60 Galvanized	



VIEW A-A This data sheet is for reference only .GARVIN INDUSTRIES reserves the right to make changes to the design without prior notice.

<b>DESCRIPTION</b>
<b>TRADE REFERENCE TERMS</b>

<b>STANDARD PACKING</b>	<b>GARVIN INDUSTRIES</b>		
	<b>OCTAGON CONCRETE RINGS</b>		
20 PCS	<b>TITLE</b>		<b>REV</b>
	OCTAGON CONCRETE RINGS		
	<b>SIZE</b>	<b>DWG NO.</b>	
	A4	OCR-400	C
	<b>DATA SHEET</b>		