



Southwire™

FSE TYPE BOXES

SINGLE

FEATURES

- Mounting feet enable easy installation
- Accommodates standard covers and accessories
- Surface mounted electrical box which has only one conduit entrance hub with no outlet hub

APPLICATIONS

- Use for dead end terminations

STANDARD MATERIAL

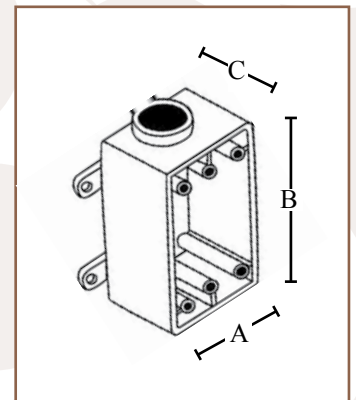
- PVC



1282



PART #	SIZE	MASTER QTY.	WEIGHT/ CASE (LBS.)	A	B	C
1282	1/2"	10	5	2.875"	4.5625"	2.375"
1283	3/4"	10	5	2.875"	4.5625"	2.375"
1284	1"	10	4	2.875"	4.5625"	2.375"



Rev. 0, 06/23

**BUILT FOR DURABILITY.
BUILT FOR RELIABILITY.
BUILT FOR WORK.™**

1-855-798-6657 | SOUTHWIRE.COM

©2023 Southwire Company, LLC. All rights reserved.
*Registered Trademark & ™Trademark of Southwire Company, LLC.