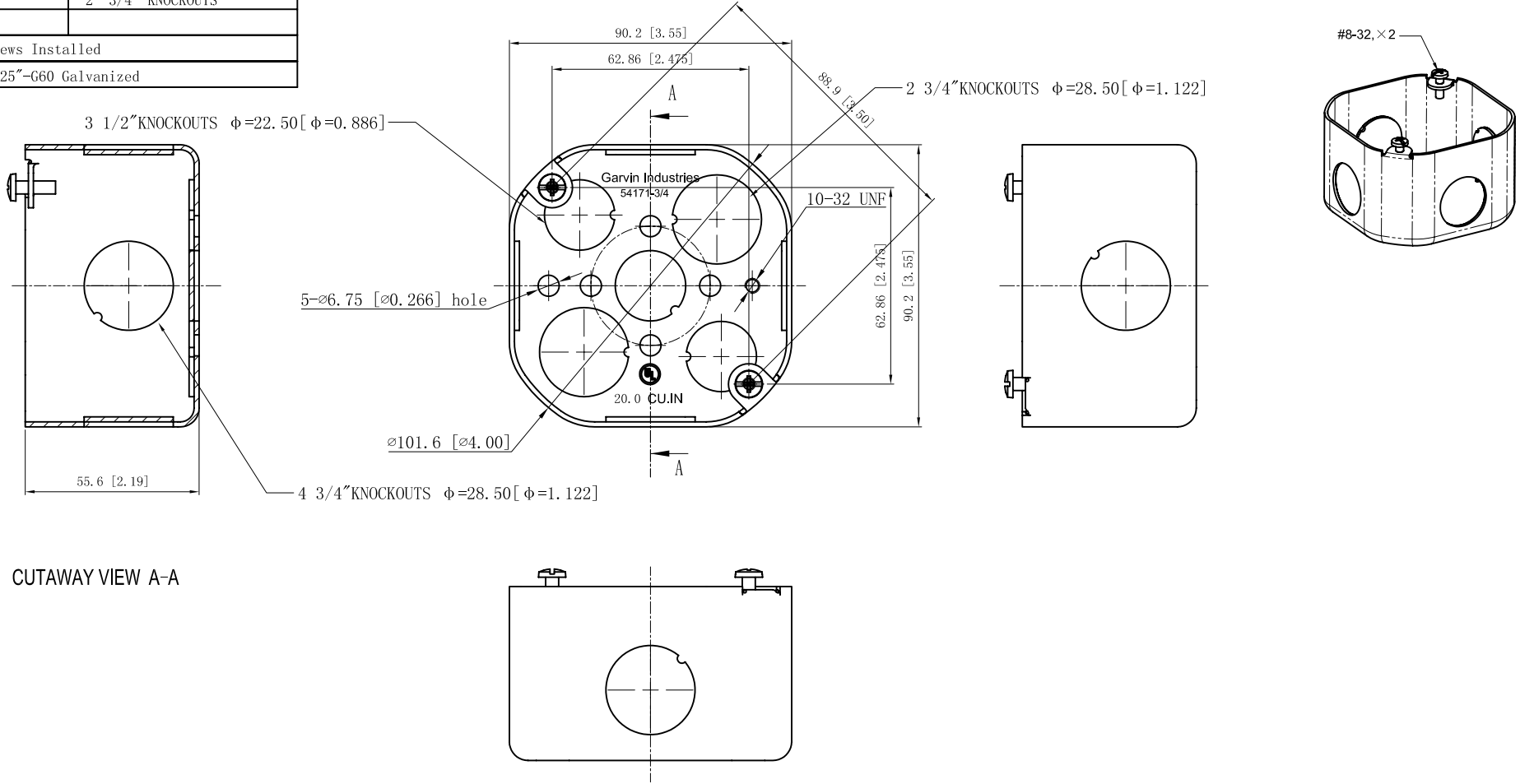


SIDES	BOTTOM
4 1/2" KNOCKOUTS	3 1/2" KNOCKOUTS
	2 3/4" KNOCKOUTS
2 PCS 8-32X1/2 Screws Installed	
Material: Steel-0.0625"-G60 Galvanized	



CUTAWAY VIEW A-A

DESCRIPTION
TRADE REFERENCE TERMS

STANDARD PACKING
25 PCS

This data sheet is for reference only. GARVIN INDUSTRIES reserves the right to make changes to the design without prior notice.

<b>GARVIN INDUSTRIES</b>			
4" OCTAGON BOXS 2-1/8" DEEP			
SIZE	DWG NO.	REV	
A4	54171-3/4	B	
DATA SHEET			