



Southwire™

METER OFFSET

FEATURES

- High tensile and impact strength
- An offset is needed to move the path of the conduit away from a wall into the holes of an electrical meter box

APPLICATION

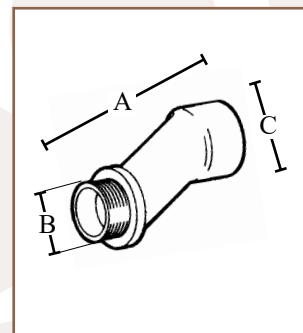
- Use to connect a conduit to a meter box

STANDARD MATERIAL

- PVC



1094



PART #	SIZE	MASTER QTY.	WEIGHT/ CASE (LBS.)	A	B	C
1094	1-1/4"	15	3	3.50	1.625"	2"
1096	2"	8	2	3.50	2.3125"	2.1875"

Rev. 0, 03/23

**BUILT FOR DURABILITY.
BUILT FOR RELIABILITY.
BUILT FOR WORK.™**

1-855-798-6657 | SOUTHWIRE.COM

©2023 Southwire Company, LLC. All rights reserved.
*Registered Trademark & ™Trademark of Southwire Company, LLC.