



# Southwire™

## TWO HOLE PIPE STRAPS

### FEATURES

- Two hole construction enables greater loadbearing capacity
- Holes in the feet of the strap for mounting with screws or nails

### APPLICATION

- A U-shaped conduit support device used to anchor conduit to interior or exterior surfaces
- Designed to handle the extra thickness of PVC conduit systems

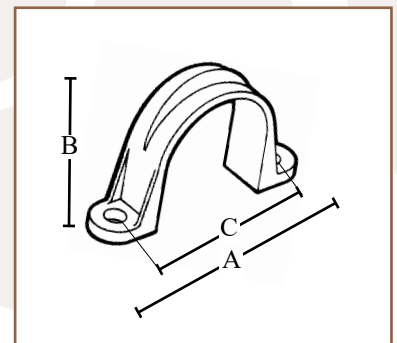
### STANDARD MATERIAL

- PVC



1061

PART #	SIZE	MASTER QTY.	WEIGHT/ CASE (LBS.)	A	B	C
1061	1/2"	300	2	2.1875"	1"	1.6875"
1062	3/4"	200	2	2.50"	1.25"	2"
1063	1"	200	2	2.8125"	1.50"	2"
1064	1-1/4"	200	3	3.125"	1.8125"	2.50"
1065	1-1/2"	200	4	3.375"	2.125"	2.6875"
1066	2"	200	6	4"	2.5625"	3.3125"
1067	2-1/2"	100	7	5.50"	3"	4.5625"
1068	3"	100	8	6"	3.5625"	5.125"
1070	4"	100	9	7"	4.625"	6"



Rev. 0, 03/23

**BUILT FOR DURABILITY.  
BUILT FOR RELIABILITY.  
BUILT FOR WORK.™**

1-855-798-6657 | SOUTHWIRE.COM

©2023 Southwire Company, LLC. All rights reserved.  
\*Registered Trademark & ™Trademark of Southwire Company, LLC.