



***southwiretools.com***



**1-855-SW-TOOLS**

Toll Free Technical Help  
Assistance technique gratuite  
Línea de Ayuda Técnica Gratuita

Product distributed by/Produit distribué par  
Southwire Company, LLC.  
One Southwire Drive, Carrollton, GA 30119  
© 2017 Southwire Company, LLC.  
All rights reserved. Tous droits réservés.

11/17  
MPJ-01/02 Manual

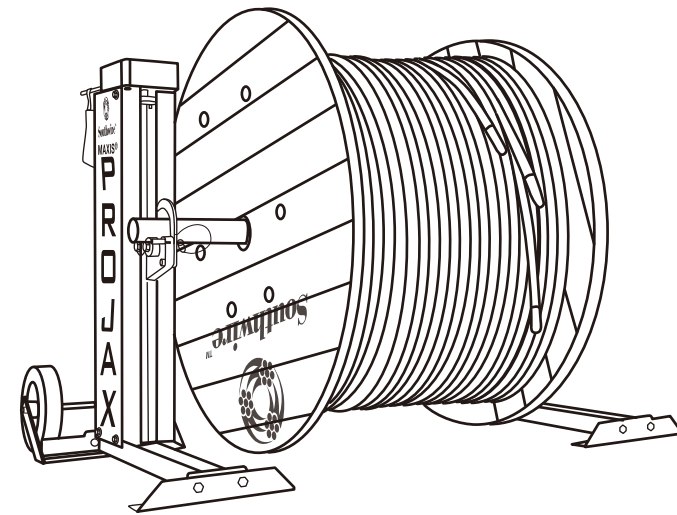


**Southwire™**

TOOLS & EQUIPMENT

# OPERATING and MAINTENANCE INSTRUCTIONS

## PRO JAX™ Reel Stand (MPJ-01/02)



**READ AND UNDERSTAND ALL  
INSTRUCTIONS AND SAFETY INFORMATION IN  
THIS MANUAL BEFORE OPERATING OR  
SERVICING THIS TOOL**



## TABLE OF CONTENTS

|                                   |        |
|-----------------------------------|--------|
| Important Safety Information..... | 2 - 4  |
| Description of Operation.....     | 5      |
| Identification.....               | 5-6    |
| Setup and Operation.....          | 7      |
| Maintenance.....                  | 8      |
| Warranty.....                     | 9 - 10 |

## SAFETY FIRST

---

Safety is essential in the use and maintenance of Southwire Contractor Equipment. This instruction manual and any markings on the tool provide information for avoiding hazards and unsafe practices related to the use of this tool. Observe all of the safety information provided.

## SAFETY ALERT SYMBOLS

---

**These symbols** are used to call attention to hazards or unsafe practices related that could result in injury or property damage. The three safety words defined below indicate the severity of the hazard. The message after the signal word provides information for preventing or avoiding the hazard.



**DANGER** – Immediate hazards, that if not avoided WILL result in severe injury or death.



**WARNING** - Hazards, that if not avoided MAY result in severe injury or death.



**CAUTION** – Hazards, or unsafe practices that, if not avoided MAY result in severe injury or death.

**IMPORTANT SAFETY INFORMATION**

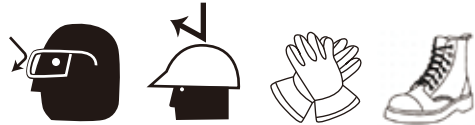
**⚠ WARNING**



- Read and understand all instructions and safety information in this manual before operating or servicing this tool.

**FAILURE TO OBSERVE THESE WARNINGS COULD RESULT IN SEVERE INJURY OR DEATH**

**⚠ WARNING: Personal Safety Hazards**



- Only qualified persons should use the ProJax™ Reel Stand.
- Wear eye protection, gloves, safety toe shoes and a hard hat when using this tool.
- Do not use tool while tired or under the influence of drugs, alcohol, or medication.
- Keep body parts and loose clothing away from moving parts.
- Always follow safety procedures as shown in this manual.

**FAILURE TO OBSERVE THESE WARNINGS CAN RESULT IN SEVERE INJURY OR DEATH**

**⚠ DANGER: Electrical Shock Hazards.**



- This is not an insulated tool, contact with live circuits could result in severe injury or death.

**FAILURE TO OBSERVE THESE WARNINGS WILL RESULT IN SEVERE INJURY OR DEATH**

**IMPORTANT SAFETY INFORMATION**

**⚠ WARNING: Entanglement Hazard**

- Do not operate this tool while wearing loose fitting clothing. Retain long hair.
- Keep hands away from roller bearings and axles or pipe while reels are on the ProJax™ Reel Stand. Could pinch or crush hands.

**FAILURE TO OBSERVE THESE WARNINGS CAN RESULT IN SEVERE INJURY OR DEATH.**

**⚠ WARNING: Tipping**

- Place Pro Jax™ Reel Stand on level ground to prevent tipping.

**FAILURE TO OBSERVE THIS PRECAUTION CAN RESULT IN INJURY OR PROPERTY DAMAGE.**

**⚠ WARNING: Tool Use Hazards**

- Use this tool for the manufacturers intended purpose only. Use other than that described in this manual can result in injury or property damage.
- Only qualified personnel should use ProJax™ Reel Stand.
- Inspect all aspects of the wire pull to ensure safety.
- Keep all decals clean and legible, and replace when necessary.

**FAILURE TO OBSERVE THESE WARNINGS CAN RESULT IN SEVERE INJURY OR DEATH**

**⚠ CAUTION:**

- Read and understand all of the instructions and safety information in this manual before operating or servicing this tool.

**FAILURE TO OBSERVE THESE CAUTIONS CAN RESULT IN INJURY OR PROPERTY DAMAGE**

## IMPORTANT SAFETY INFORMATION

### **CAUTION:**

- Do not use if any parts are damaged as this can cause an unsafe condition and lead to tool malfunction or failure.
- If tool is in disrepair, **DO NOT USE**. Have tool serviced at an Authorized Southwire Repair Center

**FAILURE TO OBSERVE THESE CAUTIONS CAN RESULT IN INJURY OR PROPERTY DAMAGE**

## PURPOSE OF THIS MANUAL

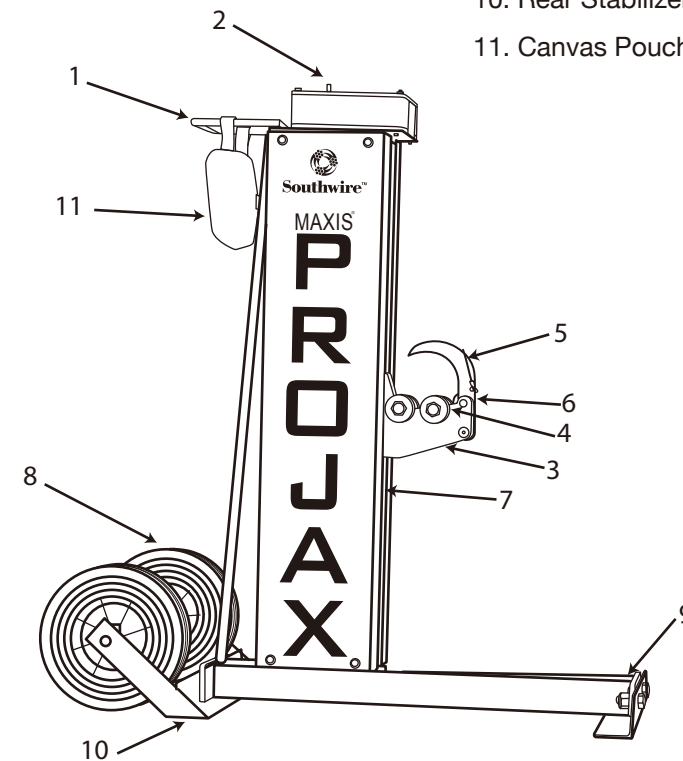
This manual is intended to familiarize all personnel with the safe operation and maintenance procedures for the following Southwire Tools and Equipment: ProJax™ Reel Stand. Keep this manual available to all personnel. Replacement manuals are available upon request at no charge at [www.southwiretools.com](http://www.southwiretools.com).

## DESCRIPTION OF OPERATION

Heavy-duty jack stand capable of lifting large, heavy reels with the use of an 18V cordless drill. The ProJax™ Reel Stands are capable of lifting reels up to 72 inches in diameter (104 inches with risers) and weighing up to 10,000 lbs. Each stand is equipped with (4) 10,000 lbs. bearings to allow easy rotation for pulling cable from spool.

## IDENTIFICATION

- |                        |   |
|------------------------|---|
| 1. Drive Handle        | 6. Hitch Pin                              |
| 2. 7/16" Drive Shaft   | 7. ACME Screw                             |
| 3. Lifting Carriage    | 8. 10" Semi-pneumatic<br>Eco-rubber tires |
| 4. Roller Bearings (4) | 9. Front Stabilizer                       |
| 5. Safety Hook         | 10. Rear Stabilizer                       |
|                        | 11. Canvas Pouch                          |



## SET UP AND OPERATION

1. Always wear gloves and eye protection when working with ProJax™ Reel Stand.
2. Use only a solid steel axle when lifting over 3,000 lbs.
3. Maneuver ProJax™ Reel Stand to the side of the cable reel (Fig 1).
4. Attach an 18V cordless drill (or equivalent of 1,000 torque rated drill or higher) onto the Drive Shaft and lower the lifting carriage until it falls below the reel axle hole (Fig 2).

## SET UP AND OPERATION

5. Place axle into spool (Fig 3).
6. Raise the carriage height with an 18V cordless drill (or equivalent of 1,000 torque rated drill) until the bearings are touching the axle.
7. Lift Safety Hook into position and insert hitch pin (Fig 4).
8. Repeat steps 3-7 for the second ProJax™ Reel Stand.
9. Lift spool off the ground by attaching an 18V cordless drill with a 7/16" drive adaptor (Supplied with ProJax™ Reel Stand onto the drive shaft and raise each side until the spool is off the ground and can be easily rotated (Fig 2).
10. When working on uneven surfaces, a torpedo level or Speed set is recommended to help adjust each jack stand individually.
11. Lower spool to the ground when finished.
12. NOTE: When raising and lowering carriage do not exceed the full travel range of carriage. Doing so WILL cause internal damage to ACME Thread and will prevent future operation.

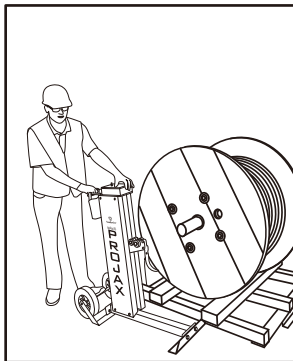


Fig. 1

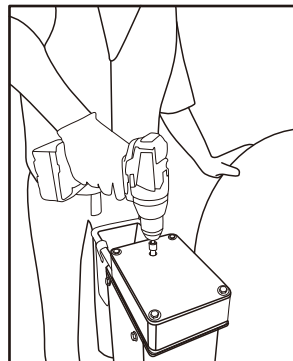


Fig. 2

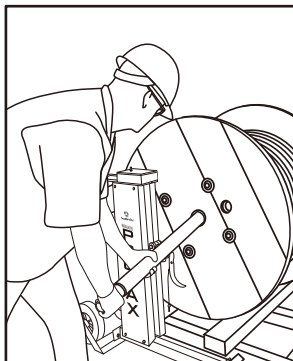


Fig. 3

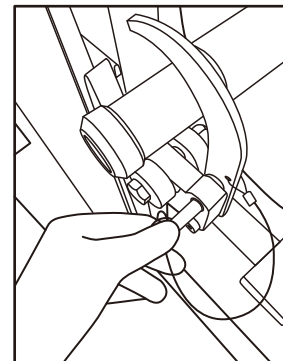


Fig. 4

## SET UP AND OPERATION

### AXLES

- May be used with a 1-1/4" to 3-1/2" Outside Diameter Axle
- When lifting loads over 3,000lbs utilization of the ProJax™ Reel Stand Axle model PJA-01/PJA-02

### PROJAX™ RISERS

- A pair of ProJax™ Risers (PJS-01) are available to extend the capabilities of the ProJax™ Reel Stands (Fig 5).
- Use of ProJax™ Risers allows the ProJax™ Reel Stand to lift wire and cable reels with an OD of 104".

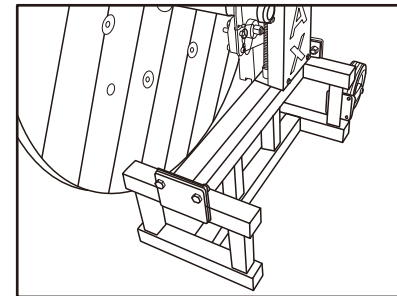


Fig. 5

### MAINTENANCE

1. Apply grease to the ACME threads as needed.
2. Apply light coat of lubrication to carriage roller bearings as needed.

### SPECIFICATIONS

- Model# MPJ-01/MPJ-02
- Stock # 58-13-32-01 (Single) / 58-52-64-01(Pair)
- Height – 44 Inches
- Width – 16 Inches
- Depth – 41 Inches
- Weight – 90 lbs each or 180 lbs per set
- Capacity – 5,000 lbs each or 10,000 lbs per set
- Patent Number – US 9073737
- Drill Recommendations: 18 V cordless drill with 1,000 lbs torque or higher for reels 3,000 - 10,000 lbs.

## WARRANTY ON SOUTHWIRE CONTRACTOR EQUIPMENT

### What Does This Warranty Cover?

#### Five-Year Limited Warranty on Contractor Equipment

Under Southwire's Contractor Equipment 5-Year Limited Warranty, Southwire Company, LLC warrants that all Southwire Contractor Equipment will be free from manufacturer defects for a period of five (5) years from the date of the original end user's purchase. However, electrical components and consumable parts such as ropes, blades, dies, draw studs, grips, are excluded from this 5-Year Limited Warranty and are subject to the One -Year warranty terms. Under this 5-Year Limited Warranty, the following are also excluded and Southwire Company, LLC will have no liability for any of the following: normal wear and tear resulting from product use and damage arising out of misuse, abuse, modification, and improper product maintenance. This warranty also does not cover Southwire Contractor Equipment products that have been modified by any party other than Southwire Company, LLC or its authorized third party designee. This 5-Year Limited Warranty is not transferrable to or enforceable by any person other than the product's original end user.

#### OnOne-Year Limited Warranty on Electrical Components and Consumable Parts (with 5-Year warranty)

Under Southwire's 1-Year Limited Warranty, Southwire Company, LLC warrants that all electrical components and consumable parts such as ropes, blades, dies, draw studs, grips will be free from manufacturer defects for a period of one-year from the date of the original end user's purchase. Under this 1-Year Limited Warranty, Southwire Company, LLC will have no liability for any of the following: normal wear and tear resulting from product use and damage arising out of misuse, abuse, modification, and improper product maintenance. This warranty also does not cover Southwire electrical components and consumable parts that have been modified by any party other than Southwire Company, LLC or its authorized third party designee. This 1-Year Limited Warranty is not transferrable to or enforceable by any person other than the product's original end user.

#### Exclusion of Incidental, Consequential, Indirect, Special and Punitive Damages

SOUTHWIRE MAKES NO WARRANTY THAT SOUTHWIRE CONTRACTOR EQUIPMENT PRODUCTS WILL BE MERCHANTABLE OR FIT FOR ANY PARTICULAR PURPOSE. SOUTHWIRE MAKES NO OTHER WARRANTY, EXPRESSED OR IMPLIED, OTHER THAN THE RELEVANT WARRANTY SPECIFICALLY SET FORTH IN THIS WARRANTY SECTION. SOUTHWIRE WILL NOT BE LIABLE FOR ANY INCIDENTAL, CONSEQUENTIAL, INDIRECT, SPECIAL, OR PUNITIVE DAMAGES FOR ANY BREACH OF THIS LIMITED LIFETIME WARRANTY.

*Some states do not allow the exclusion or limitation of incidental or consequential damages, so the above limitation or exclusion may not apply to you.*

### Warranty Claim Information/How Do You Get Service?

For all warranty, customer service, and product return authorizations and inquiries, please contact Southwire's Tools & Assembled Products at:

**Southwire Tools & Assembled Products**  
840 Old Bremen Road  
Carrollton, GA, 30117  
Phone Number: 1.855.SW.Tools

1. All warranty claims must be approved by Southwire's Tools & Assembled Products Warranty Department prior to return of product. If Southwire determines that a product is defective, Southwire will, at its option, repair or replace defective products or defective product components, free of charge.
2. Upon approval, Southwire will issue a Product Return Authorization Form which will include instructions on how and where to return the product. **The product serial number and the original date of delivery must be set forth on the Product Return Authorization Form.**
3. Southwire will cover standard freight charges (Ground Courier Rate) incurred in connection with products that Southwire ultimately determines to be defective.
4. All defective components and defective products that Southwire replaces under these Warranties will become Southwire's property and will be retained by Southwire.

### Repair Your Product When it is Out of Warranty

Southwire is happy to provide information about where a purchaser can send a product for repair at consumers' own expense, please contact 1.855.SW.tools or visit [www.southwiretools.com/tools/home.do](http://www.southwiretools.com/tools/home.do) for more information about servicing for Southwire Products.