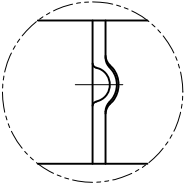
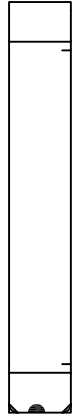
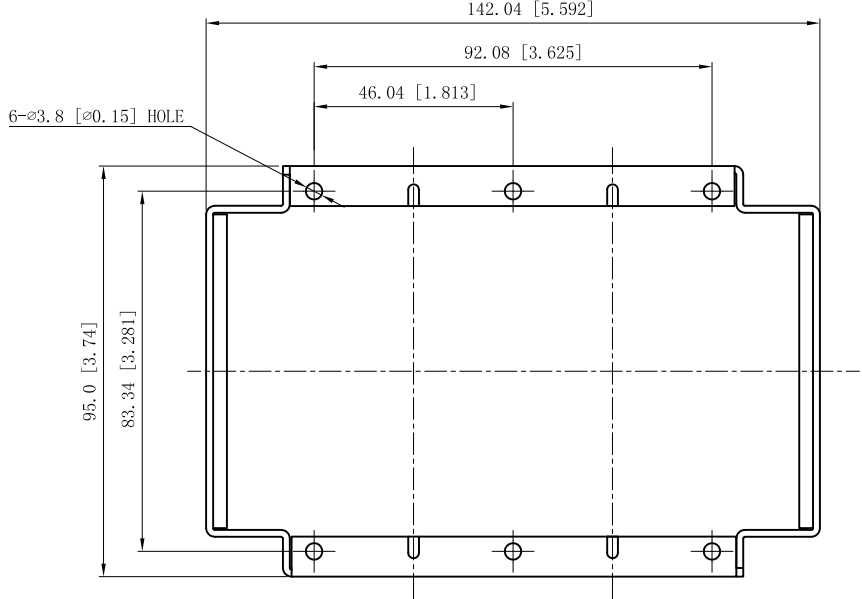
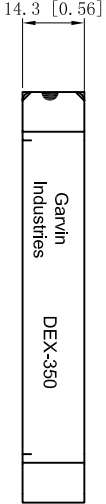
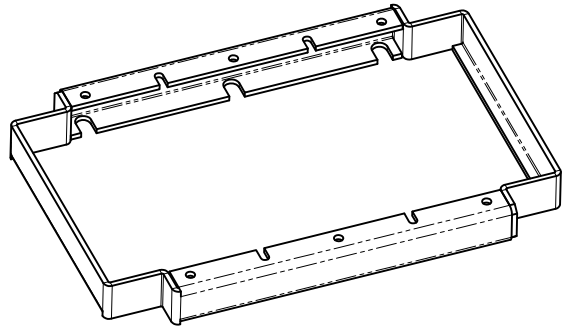
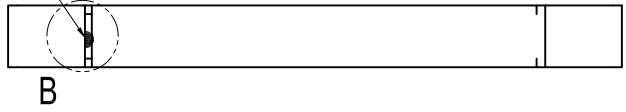


SIDES	BOTTOM
6 PCS #6-32×1-1/2 screws , per polybag	
Material:Steel-0.0625"-G60 Galvanized	



WELDING STYLE DETAIL VIEW B

2 PLACES SPOT WELDING



This data sheet is for reference only .GARVIN INDUSTRIES reserves the right to make changes to the design without prior notice.

DESCRIPTION
TRADE REFERENCE TERMS

STANDARD PACKING
25 PCS

GARVIN INDUSTRIES		
TITLE		
SIZE	DWG NO.	REV
A4	DEX-350	
DATA SHEET		