

LED PLT Retrofit - Ballast Compatible

CCT SELECTABLE



9W Horizontal
2700K|3000K|3500K



9W Horizontal
3500K|4000K|5000K



9W Vertical
2700K|3000K|3500K



9W Vertical
3500K|4000K|5000K

SUGGESTED APPLICATIONS

- Replacement for 13W/18W/26W 4-pin G24q lamps
- Suitable for enclosed fixtures¹ and rated for damp locations
- Ideal for indoor recessed lighting and wall sconces in commercial, office, hospitality and retail spaces

FEATURES

- 3 CCT Selectable with warm to cool options
- Plug and play installation, no re-wiring required²
- UL Type A, compatible with most CFL electronic ballasts
- Offers up to 50% energy savings and 5X longer life expectancy than pin-based CFL lamps
- Superior lamp efficacy, up to 122 LPW
- White, polycarbonate construction with aluminum heat sink, frosted lens
- Horizontal models are rotatable up to 300 degrees



LED PLT Retrofit - Ballast Compatible CCT SELECTABLE

GENERAL SPECIFICATIONS

Input Voltage/Frequency: Ballast Dependent
Power Factor, THD: 0.9, 20%
Input Current: Ballast Dependent
Minimum CRI: 83
Beam Angle: 120°
Functional Life (L70): 50,000 hours

Location Rating: Suitable for dry and damp locations
Ambient Operating Temperature: -4°F to 113°F
Dimmable: Down to 10%
Suitable for Enclosed Fixtures
Lamp Base Type: 4-pin G24q

ITEM SPECIFICATIONS / ORDER INFO

Catalog Number	Order Code	Operating Position	Max. Lumens	Wattage	Lamp Efficacy (LPW)	CCT	DLC ID [†]
LPLTA-9W-CTSC-H	73661	Horizontal	1,050 1,100 1,100	9W	117 122 122	3500K 4000K 5000K	PLO7LTS50K3G
LPLTA-9W-CTSC-V	73663	Vertical	1,050 1,100 1,100	9W	117 122 122	3500K 4000K 5000K	PL7OUL69KCA3
LPLTA-9W-CTSW-H	73660	Horizontal	1,000 1,025 1,050	9W	111 114 117	2700K 3000K 3500K	PLWYS3N4YOYQ
LPLTA-9W-CTSW-V	73662	Vertical	1,000 1,025 1,050	9W	111 114 117	2700K 3000K 3500K	PLAM4CAX6SWD

NOMENCLATURE

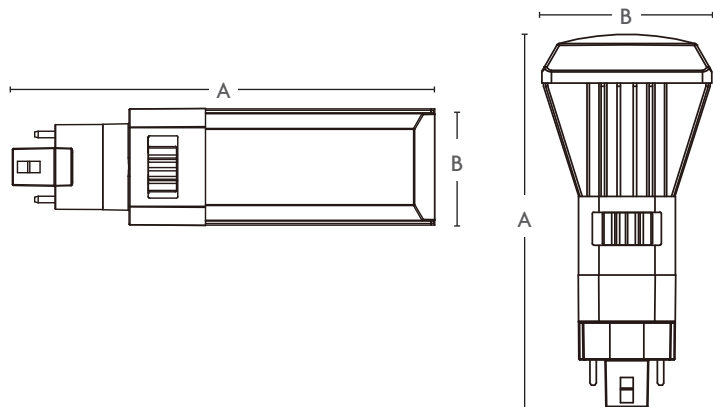
LPLT = Lamp PLT - A = UL Type A Ballast Compatible - 9W = 9 Watt - CTS = Color Temperature Selectable C = Cool - H = Horizontal Operating Position
W = Warm - V = Vertical Operating Position

ENERGY SAVINGS Based on 12 hours/day and \$0.11/kWh

Catalog Number	LED Lamp Wattage	Fluorescent Replacement Wattage	Watts Saved	Yearly Savings	5 Year Savings
LPLTA-9W-CTSx-x	9W	13W 18W 26W	4W 9W 17W	\$2 \$4 \$8	\$10 \$22 \$41

DIMENSIONS / WEIGHTS

Catalog Number	MOL (A)	MOD (B)	Weight
LPLTA-9W-CTSx-H	5.9"	1.6"	0.5 Lbs.
LPLTA-9W-CTSx-V	4.6"	2.1"	0.5 Lbs.



NOTES

[†]DLC Primary Use Designation: Replacement Lamps (plug and play) (UL Type A)

¹Suitable for enclosed fixtures provided the ambient temperature inside fixture does not exceed 113° F.

²Refer to ballast compatibility list on www.topaz-usa.com.

Dimming-This product is designed to dim with a compatible 0-10V dimming ballast and dimming control. Dimming range 100% down to 10%. Product performance may vary depending on dimmer manufacturer and circuit loading. Visit www.topaz-usa.com/led-dimmer-compatibility for up-to-date dimmer compatibility information.

This device complies with Part 15 of the FCC Rules. Operation is subject to the following two conditions: (1) this device may not cause harmful interference, and

(2) this device must accept any interference received, including interference that may cause undesired operation.

FIVE (5) YEAR LIMITED WARRANTY: SOUTHWIRE COMPANY, LLC: For details visit: www.topaz-usa.com/warranty

Specifications subject to change without prior notice. Replacement wattage shown depends on application and fixture.

Rev. 0, 04/22