



Southwire™

BEAM/PURLIN

STRAP HANGER FLANGE CLIP

APPLICATION

Attaches to beam flange to support pipes, ducts, or other attachments with straps.

FEATURES

Hammer-on installation
Strap width 1-1/4" max

MATERIAL/FINISH

Spring Steel/GEOSEAL™

CERTIFICATIONS

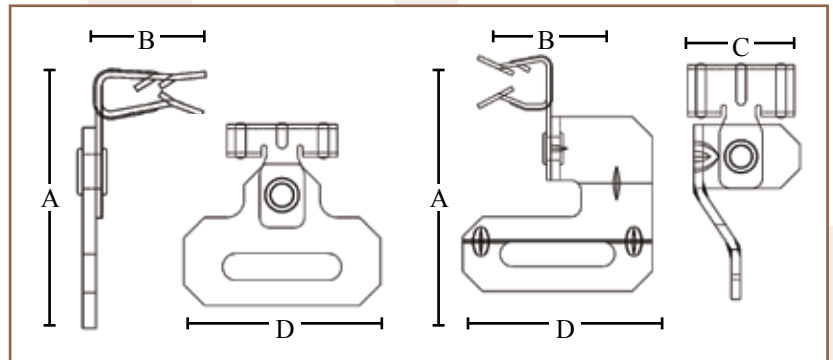
UL Standard: UL 2239



MSS24TZ
MSS58TZ
MSS912TZ



MSR58TZ



PART #	FLANGE SIZE	STRAP DIRECTION TO BEAM	STATIC LOAD (LBS.)	A	B	C	D	BOX QTY.
MSS24TZ	1/8" – 1/4"	PARALLEL	200	2.19"	.886"	1.60"	2.24"	50
MSS58TZ	5/16" – 1/2"	PARALLEL	200	2.46"	.886"	1.60"	2.24"	50
MSS912TZ	9/16" – 3/4"	PARALLEL	200	2.70"	.886"	1.60"	2.24"	50
MSR58TZ	5/16" – 1/2"	RIGHT ANGLE	200	2.77"	.866"	1.26"	2.24"	50

Rev. 0, 03/23

**BUILT FOR DURABILITY.
BUILT FOR RELIABILITY.
BUILT FOR WORK.™**

1-855-798-6657 | SOUTHWIRE.COM

©2023 Southwire Company, LLC. All rights reserved.
*Registered Trademark & ™Trademark of Southwire Company, LLC.