

ROMEX® BRAND SMARTBOX™ ORIGINAL 2 GANG DEVICE BOX

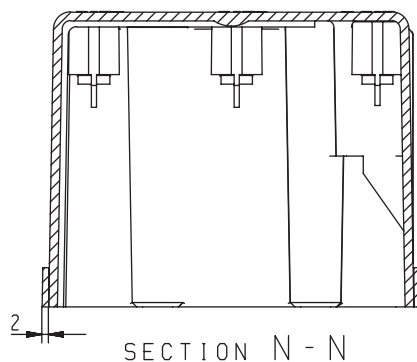
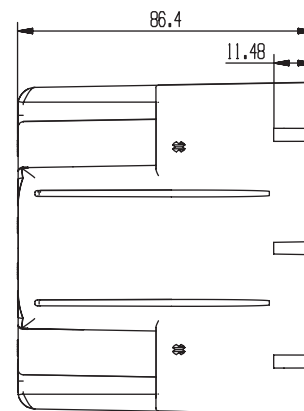
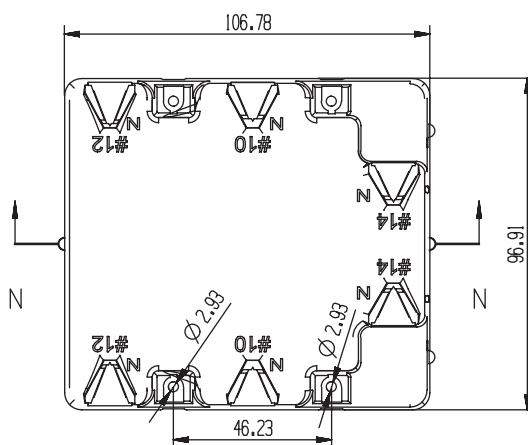
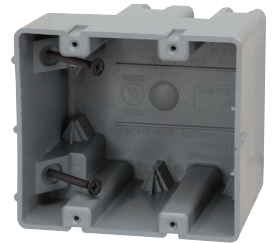


FEATURES:

- Depth adjustable.
- Step down feature allows for wire entrance in both top and bottom of box.
- Mounts to wood or 25 gauge metal stud.
- Extra thick PVC wall material creates stability and rigidity.
- Built-in wire clamps.
- All 6/32 device holes are threaded.
- Heavy-duty mounting screws supplied.

TYPE OF INSTALLATION: New Work & Old Work

CERTIFICATIONS: UL Listed E205857,
UL Fire Rated/Classified for 2 hour wall, RoHS Compliant



MODEL#	MATERIAL	UPC	I20F5	MASTER QTY	TRADE SIZE	VOLUME	
MSB2G	PVC	784297017643	50784297017648	16	2 Gang	38.00 cu. in.	
ITEM HEIGHT	ITEM WIDTH	ITEM DEPTH	ITEM WEIGHT	MASTER HEIGHT	MASTER WIDTH	MASTER DEPTH	MASTER WEIGHT
3.82 in.	4.20 in.	3.40 in.	0.45 lbs.	7.00 in.	8.13 in.	18.00 in.	7.15 lbs.

**BUILT FOR DURABILITY.
BUILT FOR RELIABILITY.
BUILT FOR WORK.™**

1-855-798-6657 | SOUTHWIRE.COM

©2021 Southwire Company, LLC. All rights reserved.
®/TM - Registered Trademark and ™ Trademark of Southwire Company, LLC