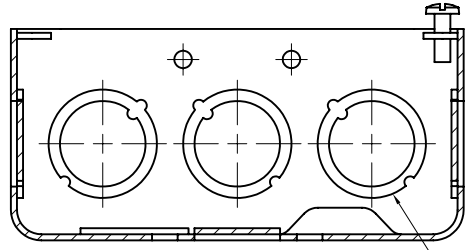
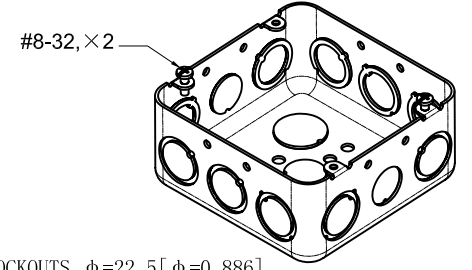


<b>SIDES</b>	<b>BOTTOM</b>
2 3/4" KNOCKOUTS	2 1/2" KNOCKOUTS
10 1/2"-3/4" MOON KNOCKOUTS	2 3/4" KNOCKOUTS
	1 Ground Hump
2 PCS 8-32x1/2 Screws Installed	
Material: Steel-0.0625"-G60 Galvanized	



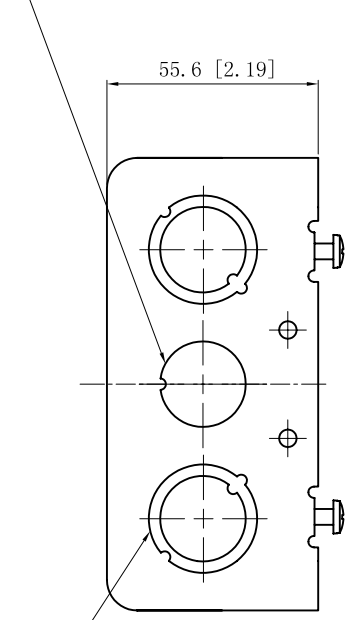
CUTAWAY VIEW C-C



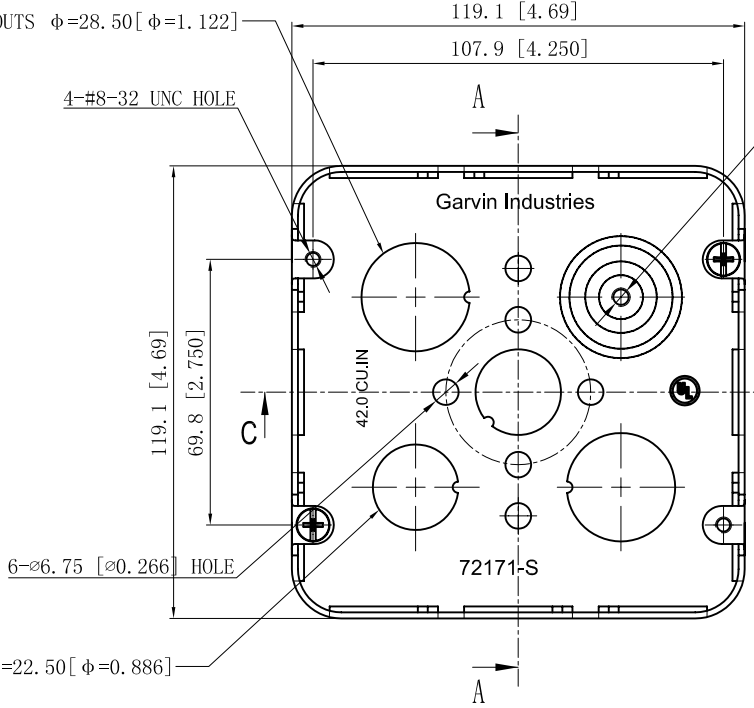
#8-32, x2

6x1/2"-3/4" MOON KNOCKOUTS  $\phi=22.5$  [ $\phi=0.886$ ]  
 $\phi=28.5$  [ $\phi=1.122$ ] MIRROR

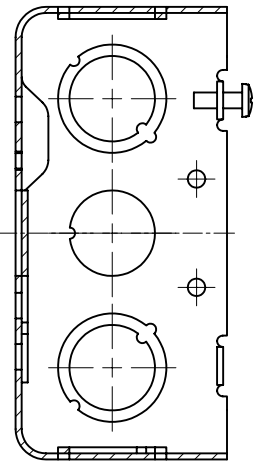
2x1/2" KNOCKOUTS  $\phi=22.50$  [ $\phi=0.886$ ]  
 MIRROR



2x3/4" KNOCKOUTS  $\phi=28.50$  [ $\phi=1.122$ ]



#10-32 UNF HOLE



CUTAWAY VIEW A-A

2x1/2" KNOCKOUTS  $\phi=22.50$  [ $\phi=0.886$ ]  
 4x1/2"-3/4" MOON KNOCKOUTS  $\phi=22.5$  [ $\phi=0.886$ ]  
 $\phi=28.5$  [ $\phi=1.122$ ] MIRROR

This data sheet is for reference only. GARVIN INDUSTRIES reserves the right to make changes to the design without prior notice.

DESCRIPTION
TRADE REFERENCE TERMS

STANDARD PACKING
25 PCS

<b>GARVIN INDUSTRIES</b>		
TITLE 4-11/16" SQUARE "DRAWN" BOXES (2-1/8" DEEP)		
SIZE A4	DWG NO. 72171-S	REV A
DATA SHEET		