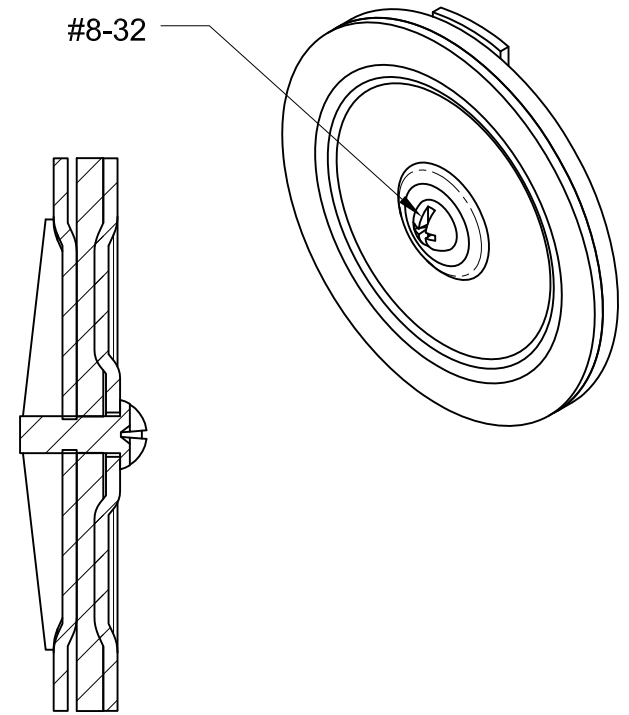
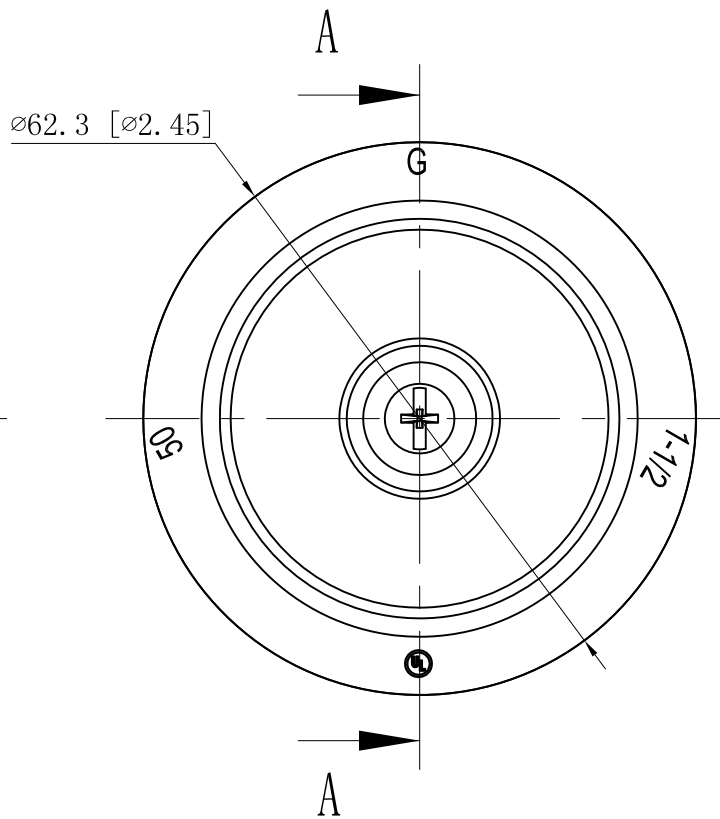
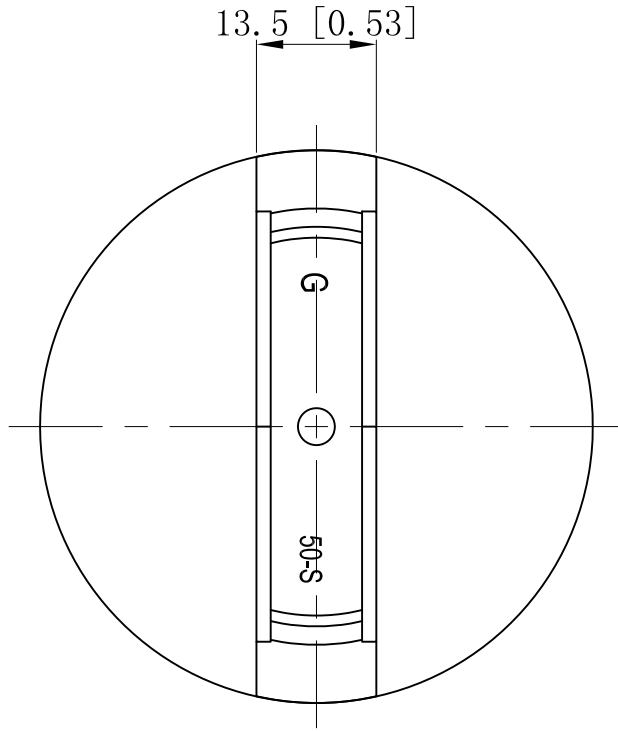


SIDES	BOTTOM
1 PCS #8-32×1/2 Screws Installed	
Material:Steel-0.0625"-C.R.S Galvanized	



CUTAWAY VIEW A-A

This data sheet is for reference only .GARVIN INDUSTRIES reserves the right to make changes to the design without prior notice.

DESCRIPTION
TRADE REFERENCE TERMS

STANDARD PACKING
5 PCS

GARVIN INDUSTRIES			
TITLE KNOCKOUT SEALS			
SIZE A4	DWG NO.	KOS-150-VT	REV A
DATA SHEET			