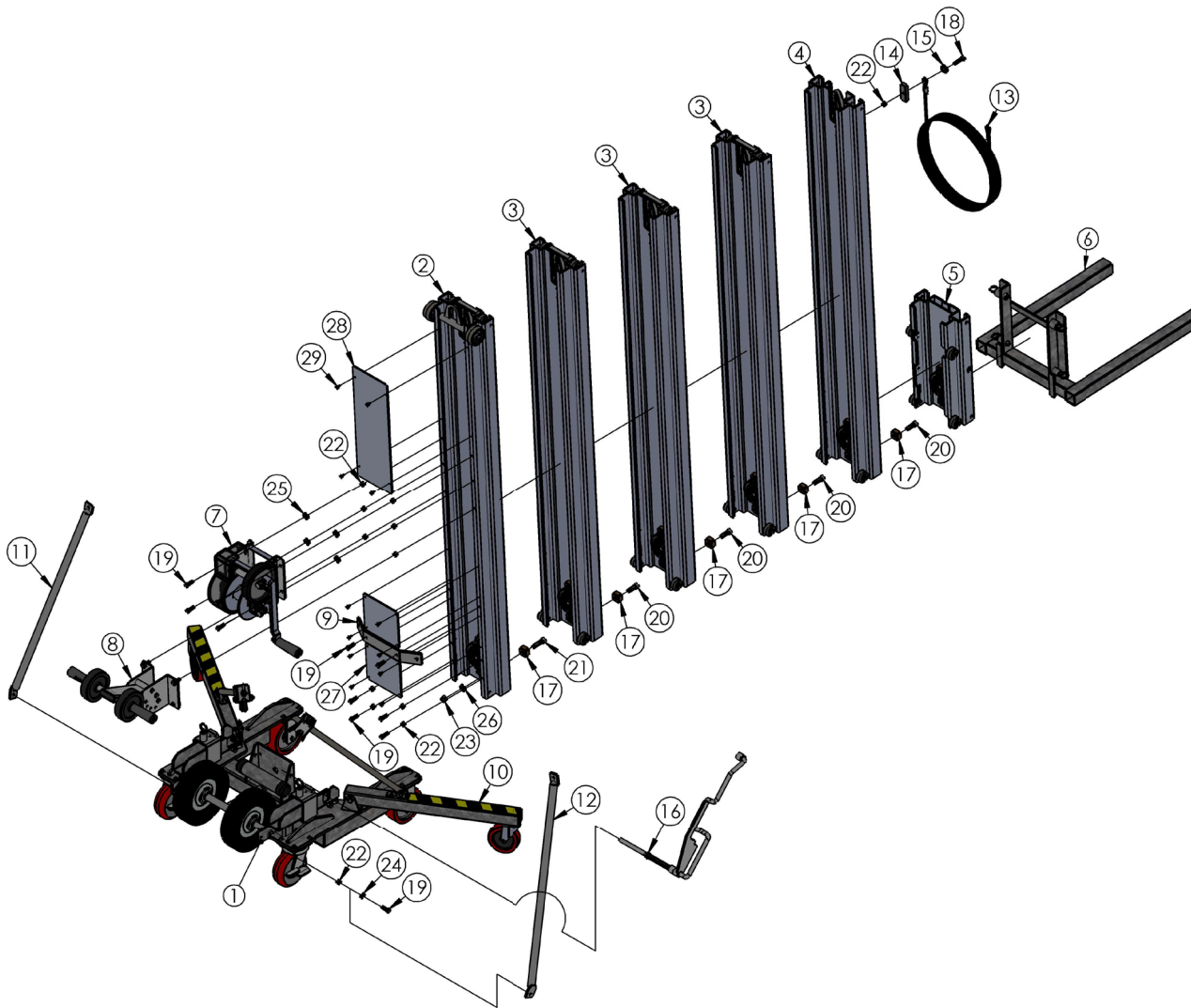
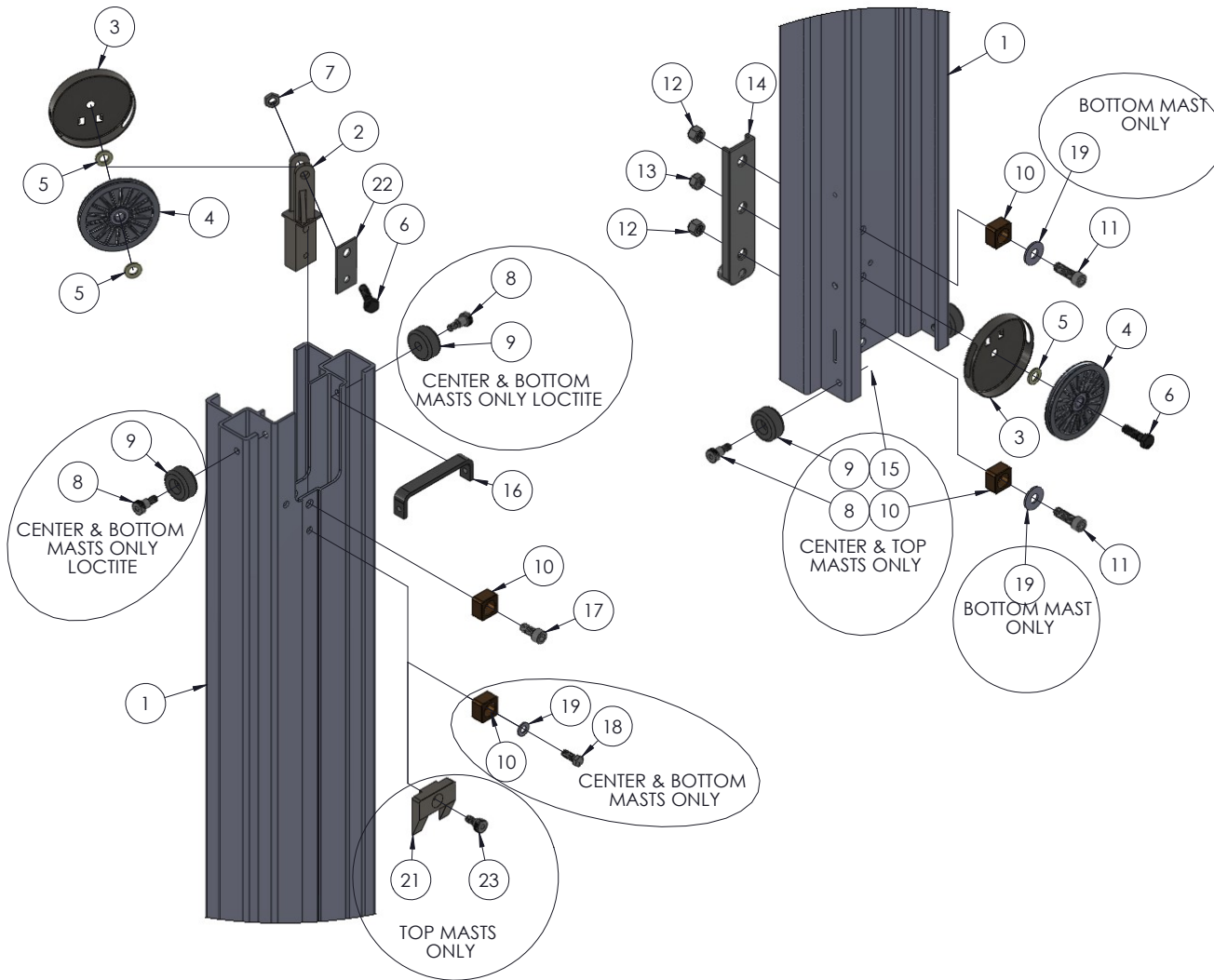


# SERIES 2500 LIFT ASSEMBLY



ITEM NO.	PART NUMBER	DESCRIPTION	QTY.
1	786541	BASE ASSEMBLY, CB LIFT GALV	1
2	783824	BTM MAST ASSEMBLY-HD	1
3	783825	CTR MAST ASSEMBLY-HD	3
3	783825	CTR MAST ASSEMBLY-HD- 2515 LIFT	1
3	783825	CTR MAST ASSEMBLY-HD- 2520 LIFT	2
3	783825	CTR MAST ASSEMBLY-HD- 2525 LIFT	3
4	783826	TOP MAST ASSEMBLY-HD	1
5	786594	CARRIAGE ASSEMBLY, CB LIFT	1
6	786564	FORK ASSEMBLY, CB LIFT GALV	1
7	785380	WINCH ASSEMBLY, 2-SPEED	1
8	786575	HANDLE ASSEMBLY, CB LIFT	1
9	783582	SPREADER PLATE ASSEMBLY	1
10	783939	OUTRIGGER ASSEMBLY 2000/2100	1
11	780819	BRACE MAST LEFT	1
12	780820	BRACE MAST RIGHT	1
13	783886	LOAD LINE ASSEMBLY, 2025 LIFT	1
13	783887	LOAD LINE ASSEMBLY, 2020 LIFT	1
13	78834	LOAD LINE ASSEMBLY, 2015 LIFT	1
13	783886	LOAD LINE ASSEMBLY, 2010 LIFT	1
14	783551	LOCK BLOCK	1
15	782910	ROPE RET. WASHER	1
16	783040	MAST HOLD DOWN BAR TYPE 2100	1
17	783575	STOP BLOCK (2510 LIFT)	2
17	783575	STOP BLOCK (2515 LIFT)	3
17	783575	STOP BLOCK (2520 LIFT)	4
17	783575	STOP BLOCK (2525 LIFT)	5
18	771248	SCREW, FHSC 3/8-16 X 2"LN	1
19	771060	SCREW, HHC 3/8-16X1.25"LN	14
20	771257	SCREW, SHC 1/2 - 13 X 1 - 1/2	4
21	771252	SCREW, SHC 1/2-13X2"LN	1
22	772355	NUT, INSERT LOCK 3/8-16	15
23	772358	NUT, INSERT JAM 1/2 -13	1
24	773040	WASHER, FLAT 3/8	4
25	773005	WASHER FLAT 3/8 RUBBER SEALING	4
26	773094	WASHER, FLAT 1/2 SAE	1
27	783916	MAST COVER ALUM BTM 2000/2100/2600	2
28	783918	MAST COVER ALUM TOP 2000/2100/2600	1
29	776055	SCREW, SM #8 X 3/4 SELF TAPPING	12

# MAST ASSEMBLY

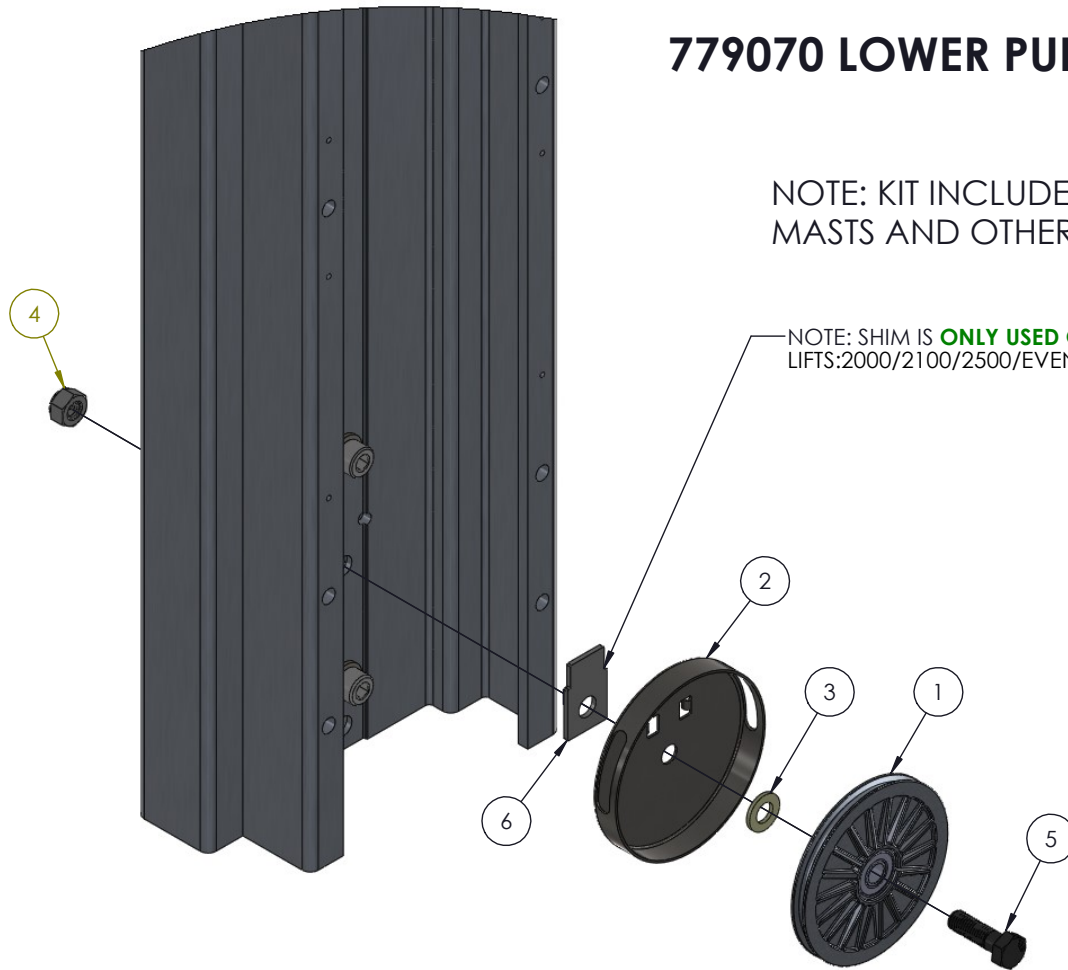


ITEM NO.	PART NUMBER	DESCRIPTION	QT Y.
1	783808	MAST FABRICATION	2
2	783489	UPPER PULLEY BRACKET, 2600 SERIES	1
3	783536	PULLEY GUARD	2
4	783921	PULLEY ASSEMBLY	2
5	773108	WASHER, FLAT 7/16" GRADE 8	3
6	771166	M12-1.75 x 40MM HI-STRENGTH 10.9 GRADE	2
7	772505	NUT, INSERT JAM M12	1
8	771350	SCREW, SHOULDER 1/2 X 1/2	4
8	771350	SCREW, SHOULDER 1/2 X 1/2 (TOP QTY 2)	2
8	771350	SCREW, SHOULDER 1/2 X 1/2 (CENTER QTY 4)	4
8	771350	SCREW, SHOULDER 1/2 X 1/2 (BOTTOM QTY 2)	2
9	778340	MAST ROLLER (TOP QTY 2)	2
9	778340	MAST ROLLER (CENTER QTY 4)	4
9	778340	MAST ROLLER (BOTTOM QTY 2)	2
10	783575	STOP BLOCK (TOP 2)	2
10	783575	STOP BLOCK (CENTER 4)	4
10	783575	STOP BLOCK (BOTTOM 2)	2
11	771257	SCREW, SHC 1/2 - 13 X 1 - 1/2	2
12	772357	NUT, INSERT LOCK 1/2 - 13	2
13	772800	NUT, INSERT LOCK 12MM	1
14	783478	BACK PLATE WELDMENT	1
15	772350	NUT, INSERT JAM 3/8 - 16 (TOP QTY 2)	2
15	772350	NUT, INSERT JAM 3/8 - 16 (CENTER QTY 2)	2
16	783649	TOP REINFORCEMENT BRACKET (CENTER QTY 1)	1
16	783649	TOP REINFORCEMENT BRACKET (BOTTOM QTY 1)	1
17	771258	SCREW, SHC 1/2-13 X 1	1
18	771107	SCREW, HHC 3/8-16 X 1	1
19	773060	WASHER, FLAT 1/2 USS	2
20	773022	WASHER, FLAT 3/8 SAE HARDENED (CENTER QTY 1)	1
20	773022	WASHER, FLAT 3/8 SAE HARDENED ( BOTTOM QTY 1)	1
21	783694	STOP BLOCK WEDGE	1
22	783484	PLATE, TOP PULLEY MOUNT 2600	1
23	771339	SCREW SHOULDER 1/2 X 1/4	1
24	779070	LOWER PULLEY KIT (NOT PICTURED)	1
25	783924	UPPER PULLEY KIT (NOT PICTURED)	1

# LOWER PULLEY KIT ASSEMBLY

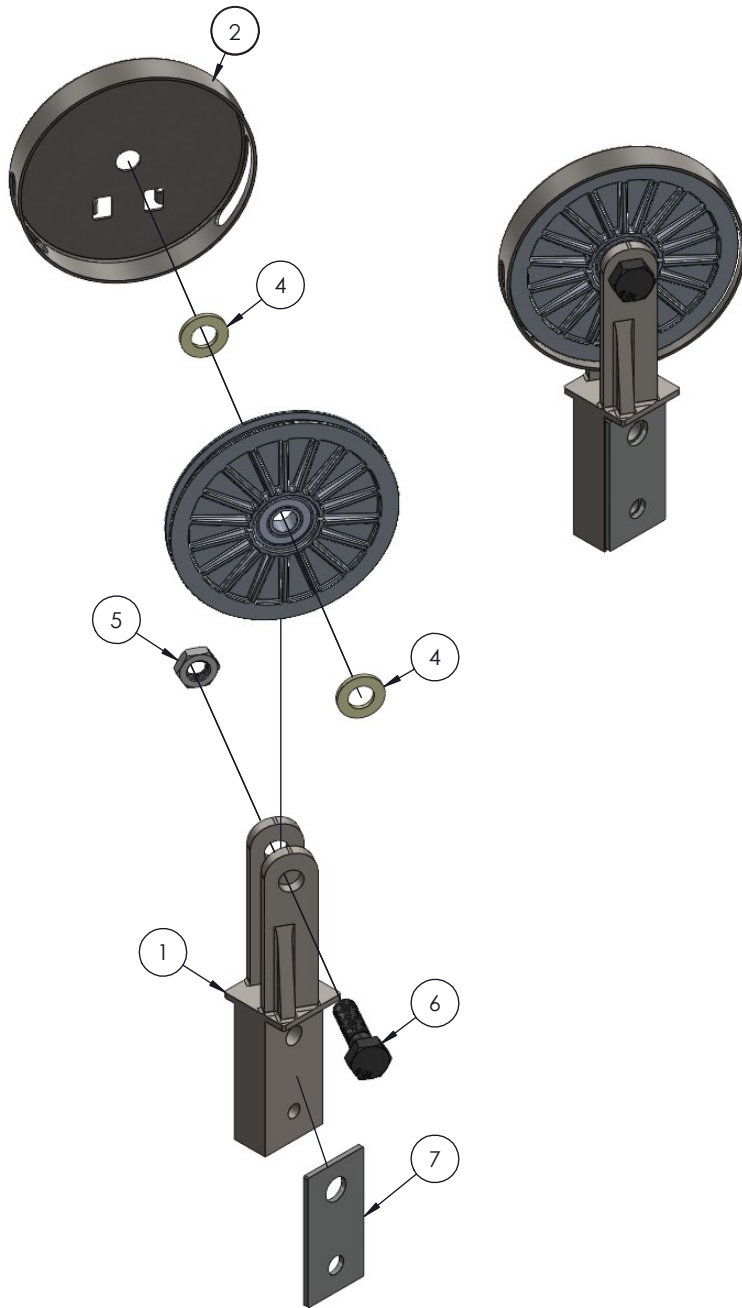
## 779070 LOWER PULLEY KIT

NOTE: KIT INCLUDES PARTS 1,2,3,4,5.  
MASTS AND OTHER HARDWARE FOR ASSEMBLY REFERENCE ONLY.



ITEM NO.	PART NUMBER	DESCRIPTION	QTY.
1	783921	PULLEY ASSEMBLY	1
2	783536	PULLEY GUARD	1
3	773108	WASHER, FLAT 7/16" GRADE 8	1
4	772505	NUT, INSERT JAM M12	1
5	771166	High-Strength Class 10.9 Steel Hex Head Screw	1
6	783069	SHIM, 2600 PULLEY GUARD	1

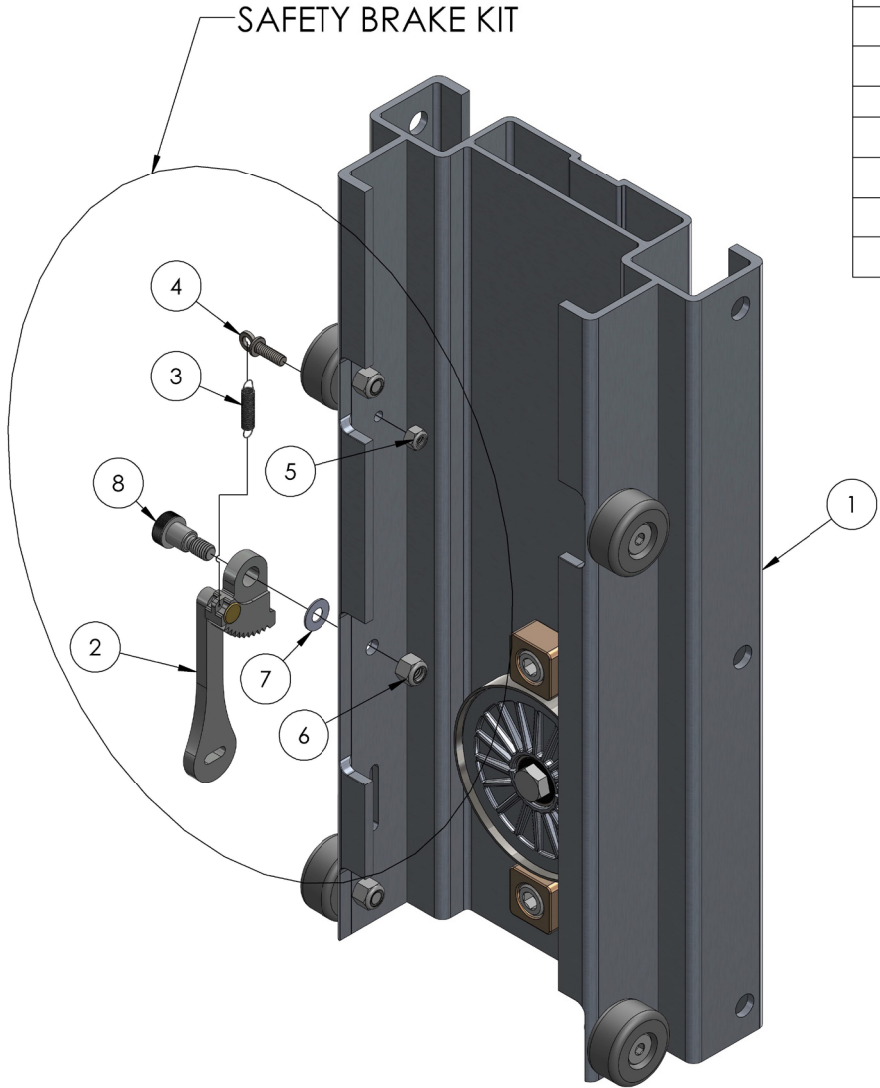
# UPPER PULLEY KIT ASSEMBLY



ITEM NO.	PART NUMBER	DESCRIPTION	QTY.
1	783489	UPPER PULLEY BRACKET, 2600 SERIES	1
2	783536	PULLEY GUARD	1
3	783921	PULLEY ASSEMBLY	1
4	773108	WASHER, FLAT 7/16" GRADE 8	2
5	772505	NUT, INSERT JAM M12	1
6	771166	High-Strength Class 10.9 Steel Hex Head Screw	1
7	783484	PLATE, TOP PULLEY MOUNT 2600	1

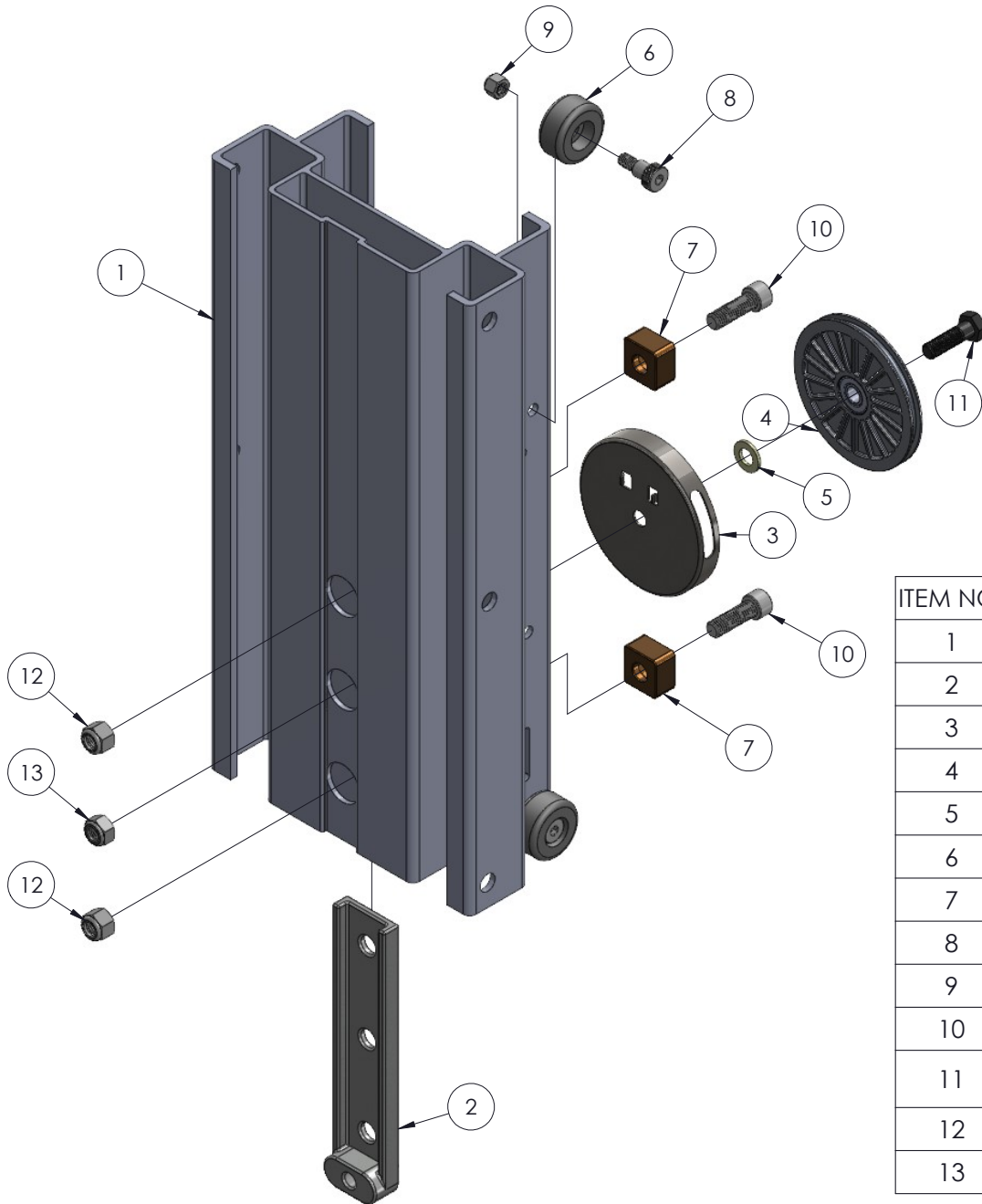


# MAST BRAKE KIT ASSEMBLY



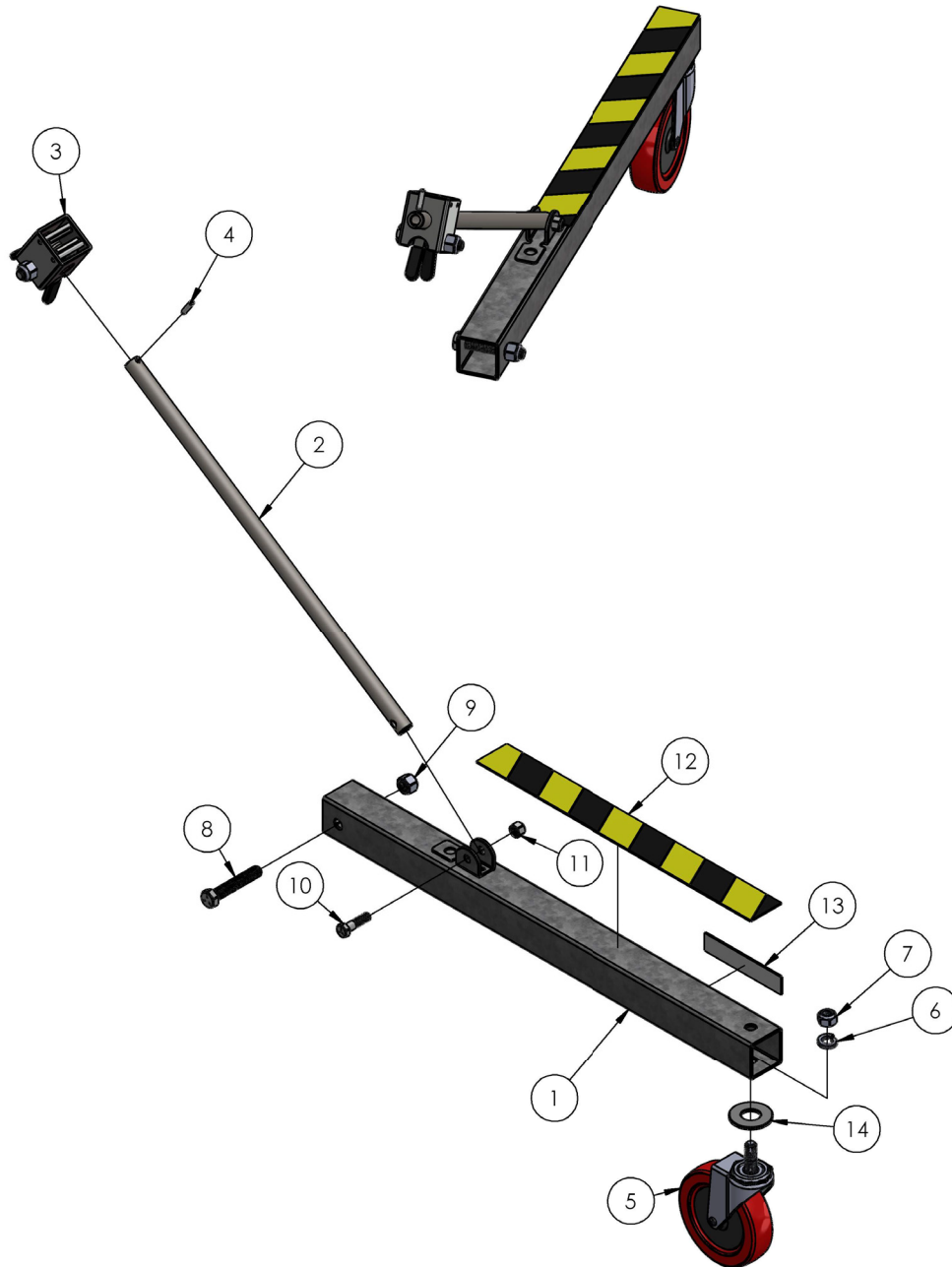
ITEM NO.	PART NUMBER	DESCRIPTION	QTY.
1	783533	CARRIAGE ASSEMBLY ( <b>NOT INCLUDED</b> )	NA
2	783529	SAFETY BRAKE ASSEMBLY	1
3	783530	BRAKE SPRING	1
4	779900	SCREW, ADJUSTING (OHIO ES21 12) EYE BOLT	1
5	772076	NUT, INSERT LOCK 1/4-20	1
6	772350	NUT, INSERT JAM 3/8 - 16	1
7	773042	WASHER, FLAT 5/16	1
8	771350	SCREW, SHOULDER 1/2 X 1/2	1

# CARRIAGE ASSEMBLY



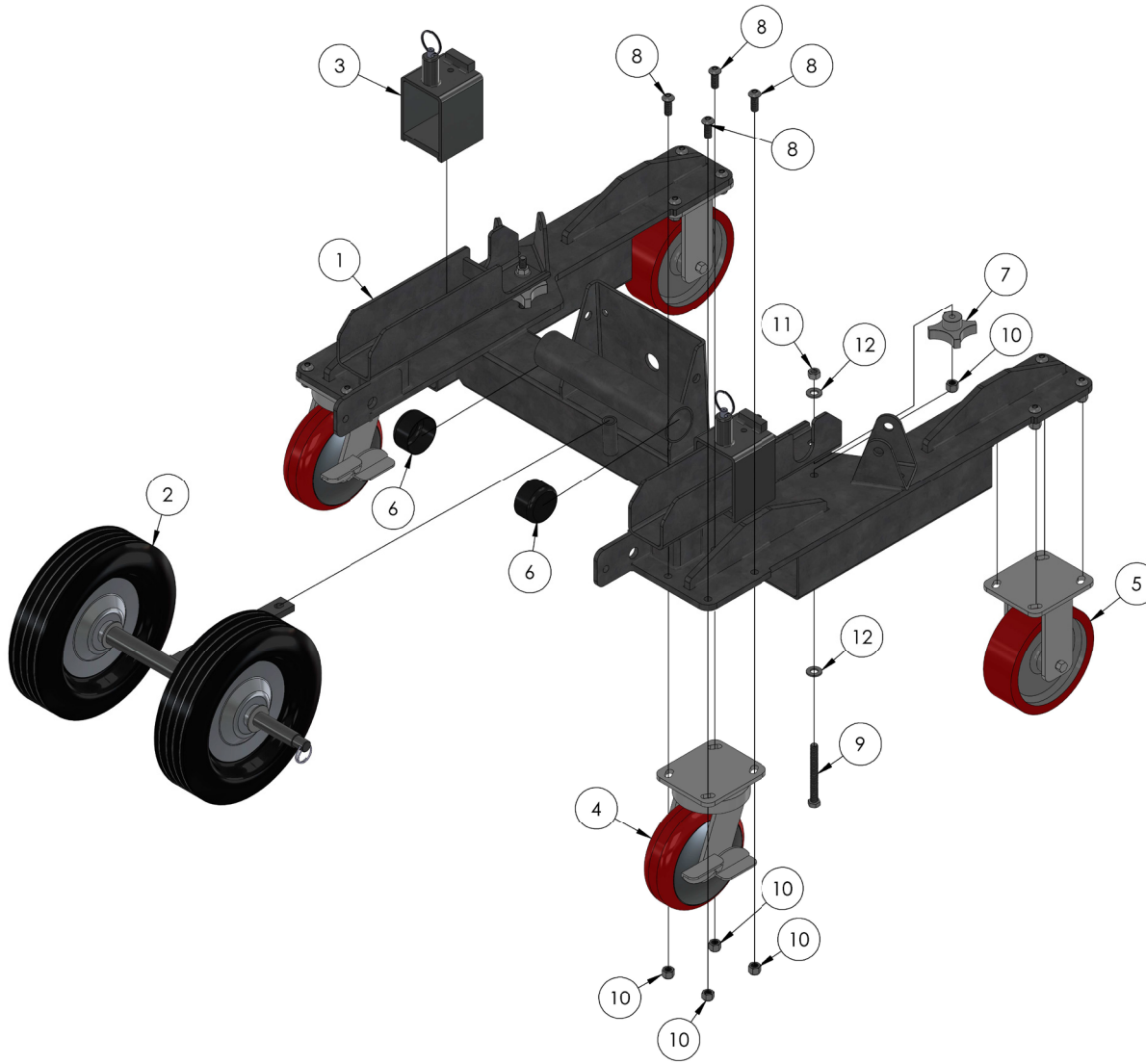
ITEM NO.	PART NUMBER	DESCRIPTION	QTY.
1	783534	CARRIAGE	1
2	783478	BACK PLATE WELDMENT	1
3	783536	PULLEY GUARD	1
4	783921	PULLEY ASSEMBLY	1
5	773108	WASHER, FLAT 7/16" GRADE 8	1
6	783540	MAST ROLLER	4
7	783575	STOP BLOCK	2
8	771350	SCREW, SHOULDER 1/2 X 1/2	4
9	772350	NUT, INSERT JAM 3/8 - 16	4
10	771257	SCREW, SHC 1/2 - 13 X 1 - 1/2	2
11	771166	M12-1.75 x 40MM HI-STRENGTH 10.9 GRADE	1
12	772357	NUT, INSERT LOCK 1/2 - 13	2
13	772800	NUT, INSERT LOCK 12MM	1

# OUTRIGGER ASSEMBLY



ITEM NO.	PART NUMBER	DESCRIPTION	QTY.
1	783495	LEG WELDMENT, OUTRIGGER	2
2	783938	OUTRIGGER SUPPORT TUBE, 2500	2
3	783940	OUTRIGGER LOCK ASSEMBLY	2
4	774080	PIN ROLL 3/16 X 1.0" LN	2
5	779002	CASTER, 125 X 32 12MM STEM	2
6	773590	WASHER, LOCK 1/2	2
7	772801	NUT, HEX 12MM ZINC PLATED	2
8	771142	SCREW, HHC 1/2-13 X 3"	2
9	772358	NUT, INSERT JAM 1/2 -13	2
10	771090	SCREW, HHC 3/8-16 X 1.5"	2
11	772350	NUT, INSERT JAM 3/8 - 16	2
12	778352	TAPE, 2" B/Y CAUTION STRIPE	2
13	778348	LABEL, LOWER STABILIZER LEG	2
14	773091	WASHER, FLAT 7/8" USS PLATED	2

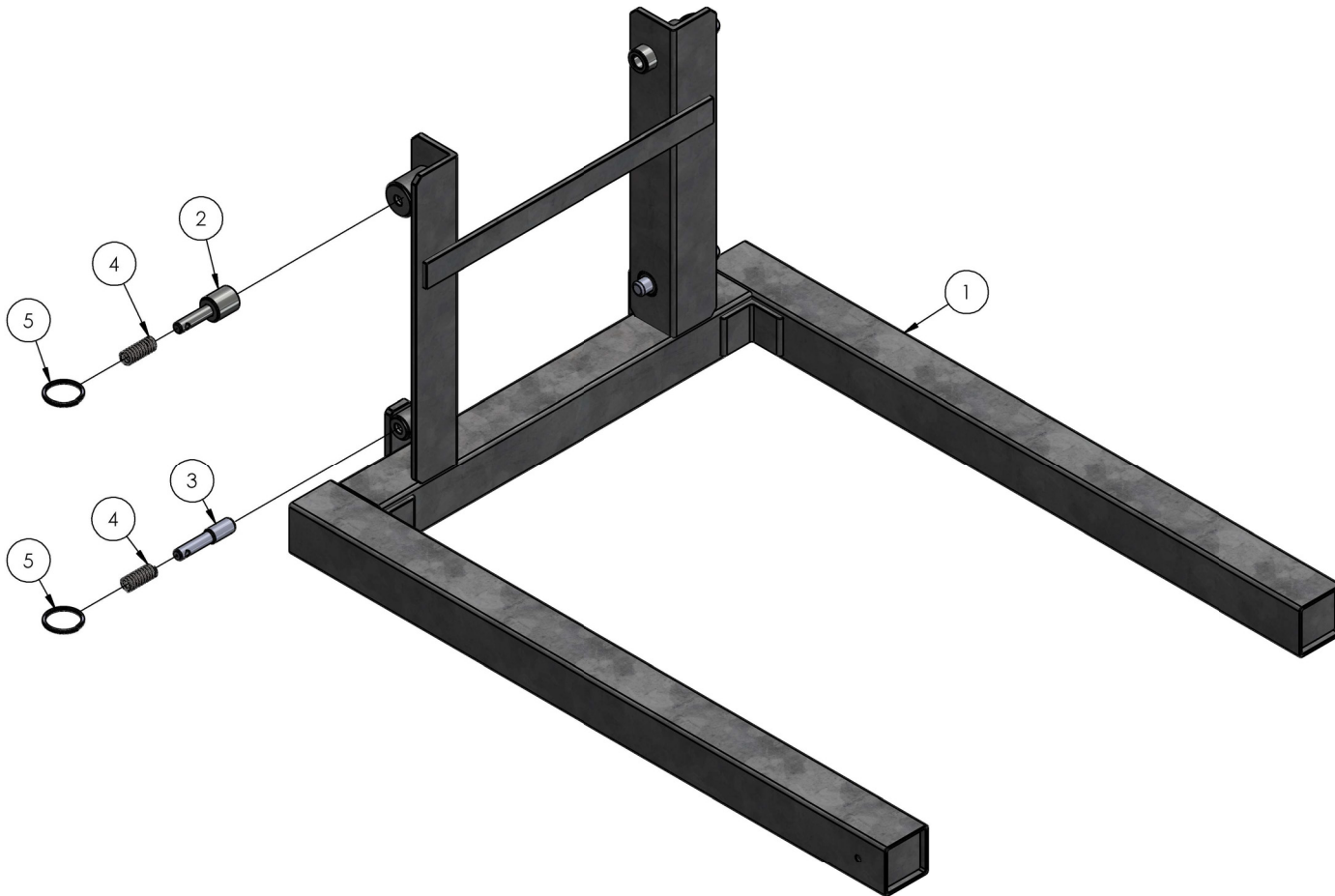
# BASE ASSEMBLY



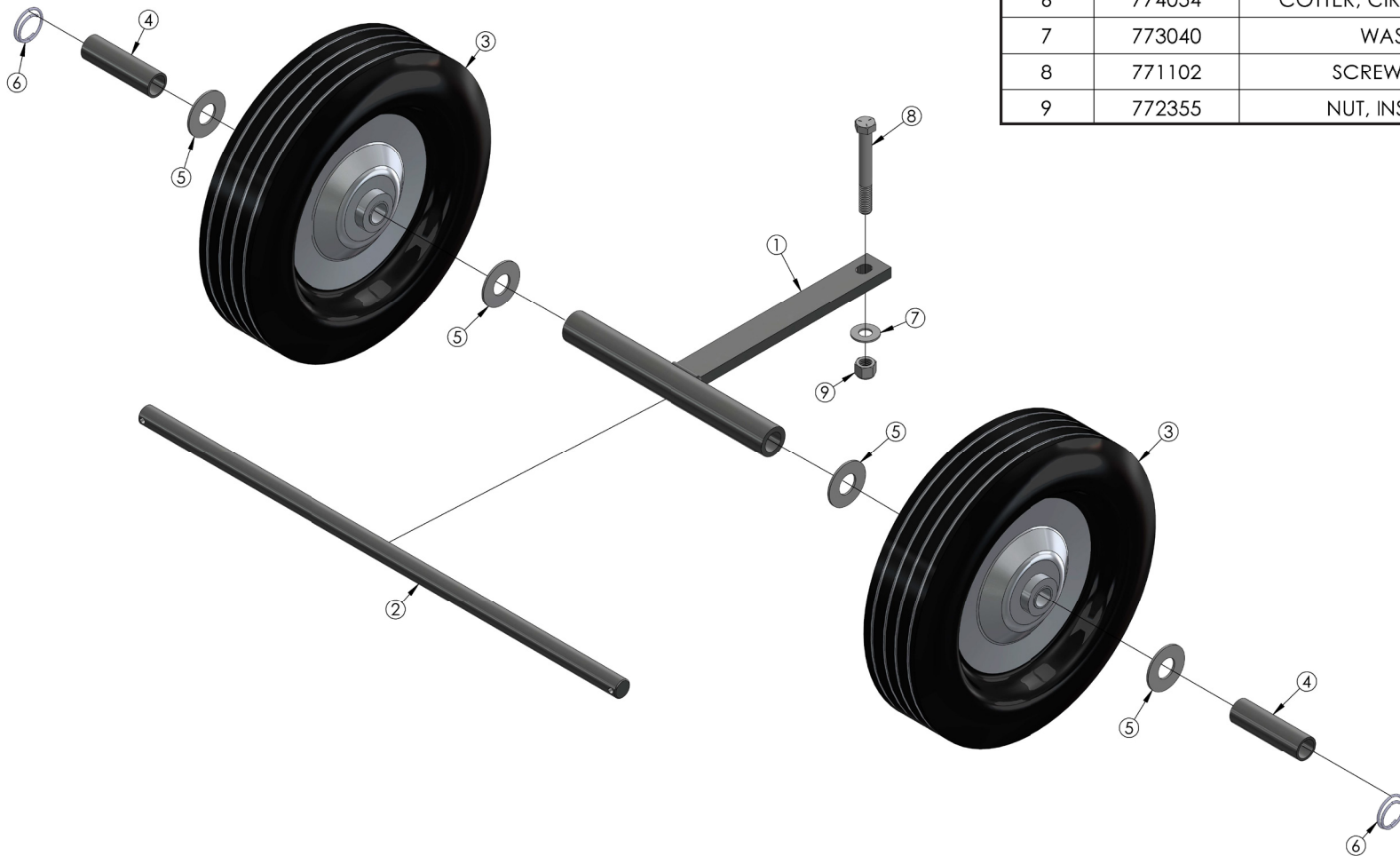
ITEM NO.	PART NUMBER	DESCRIPTION	QTY.
1	786543	BASE WELDMENT, CB LIFT GALVANIZED	1
2	786570	10" WHEEL KIT, CB LIFT	1
3	784820	LEG LOCK ASSEMBLY 2400 LIFT	2
4	779038	CASTER, 6" SWIVEL	2
5	779039	CASTER, 6" RIGID	2
6	779905	CAP, 2" OD TUBE, BLACK	2
7	784115	KNOB, 3/8-16 TH'D	2
8	771266	SCREW, BHC 3/8-16 X 1	16
9	771094	SCREW, HHC 3/8-16 X 3-1/2 FULL TH'D	2
10	772350	NUT, INSERT JAM 3/8 - 16	18
11	772085	NUT, HEX 3/8-16	2
12	773093	WASHER, FLAT 3/8 SAE	4

# FORK ASSEMBLY

ITEM NO.	PART NUMBER	DESCRIPTION	QTY.
1	786567	FORK WELDMENT, 2000/2100 LIFT GALV	1
2	786599	PLUNGER, CB LIFT	2
3	782510	PLUNGER	2
4	776212	SPRING, #DWC - 042 - G - 9	4
5	775110	SPLIT RING 1-1/4" NICKEL PLATED	4



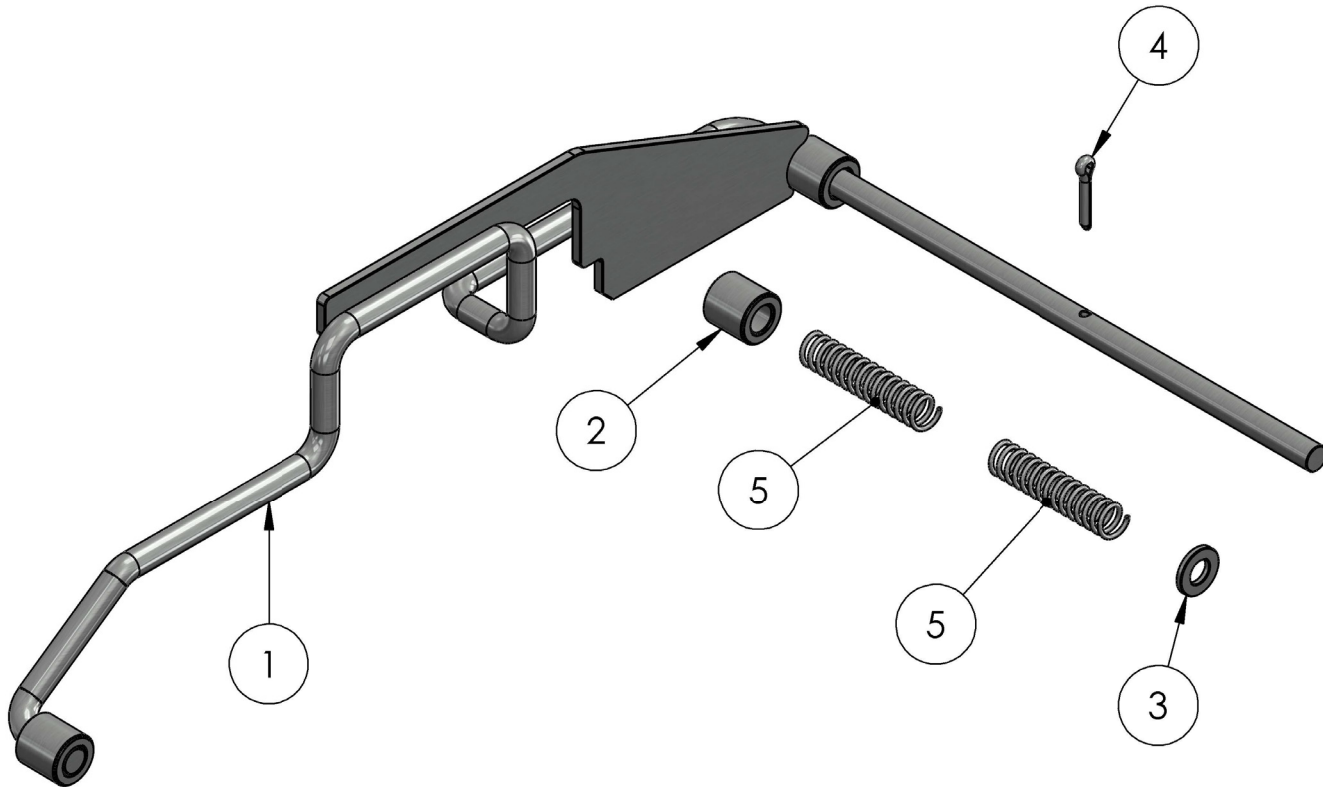
# 10 IN. WHEEL KIT ASSEMBLY



ITEM NO.	PART NUMBER	DESCRIPTION	QTY.
1	786571	AXLE SUPPORT WELDMENT, CB LIFT	1
2	786574	AXLE, 10" WHEEL KIT, CB LIFT	1
3	779011	WHEEL, 10" RUBBER TIRE	2
4	774020	SPACER, BUTTITE 5/8 X 2-3/4	2
5	773051	WASHER, FLAT 5/8 USS	4
6	774054	COTTER, CIRCLE Z/P 0.072 X 1.125"	2
7	773040	WASHER, FLAT 3/8	1
8	771102	SCREW, HHC 3/8-16 X 3	1
9	772355	NUT, INSERT LOCK 3/8-16	1

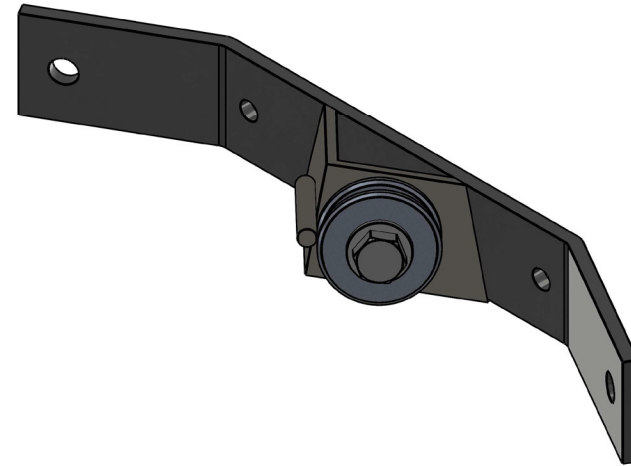
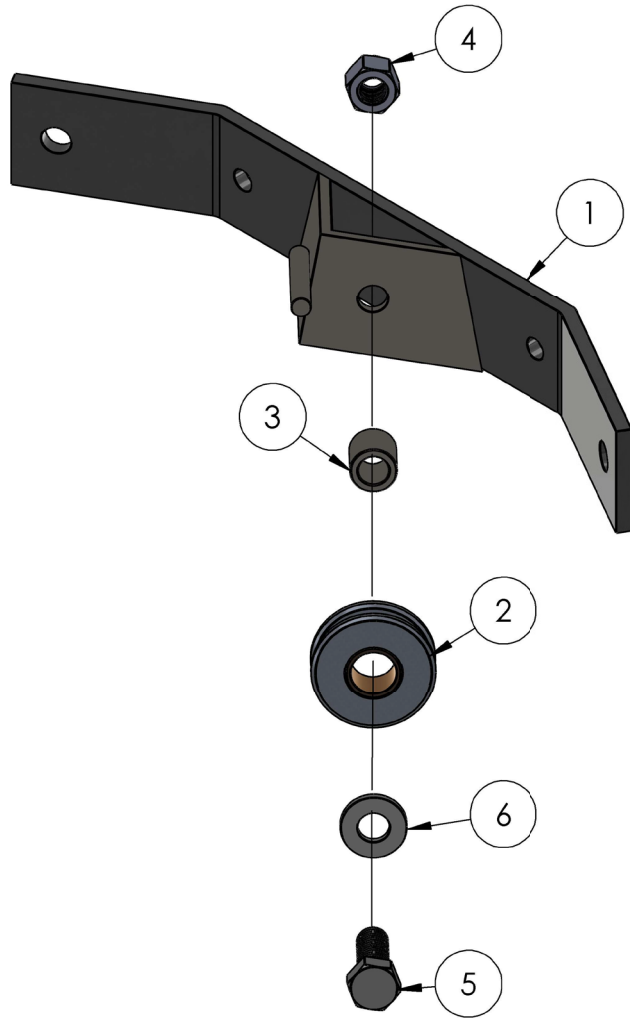


# MAST HOLD DOWN ASSEMBLY



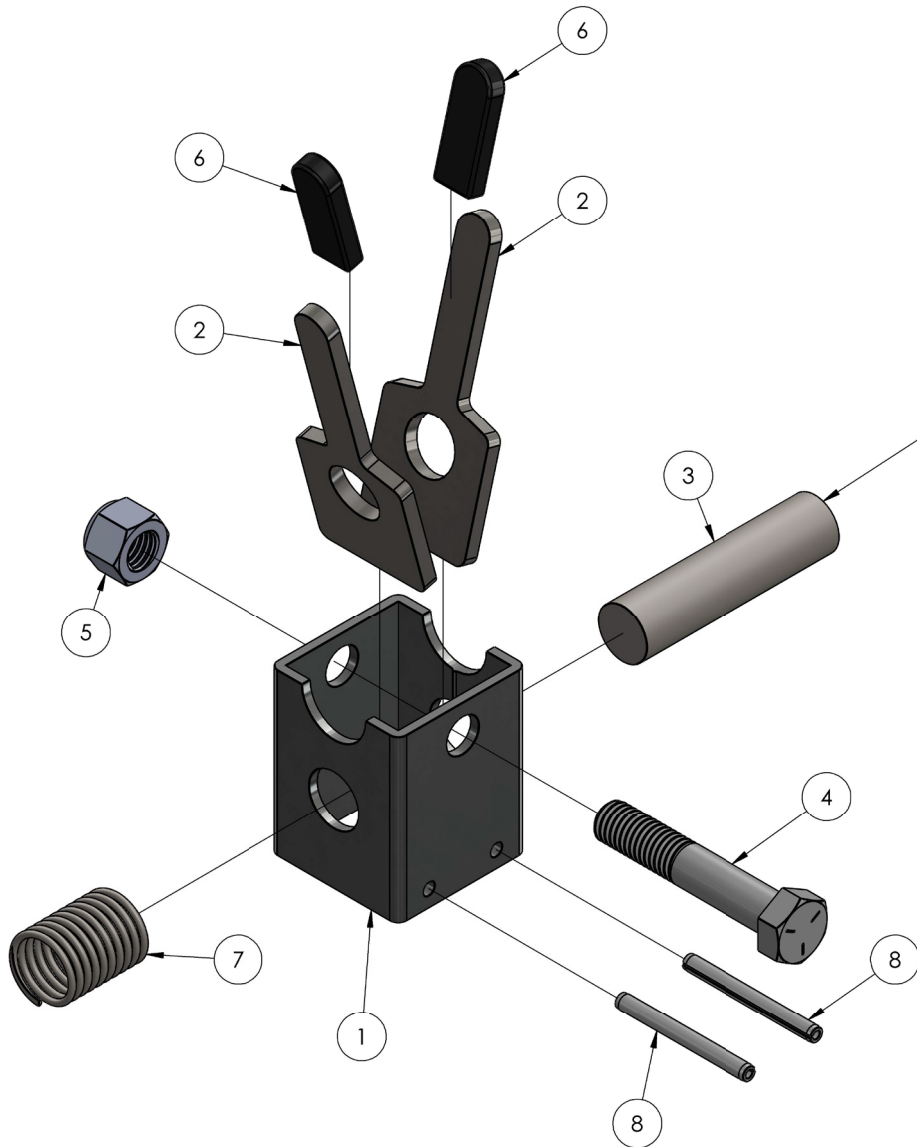
ITEM NO.	PART NUMBER	DESCRIPTION	QTY.
1	783041	MAST HOLD DOWN DEVICE WELDMENT	1
2	783044	MAST HOLD DOWN SPACER	1
3	773096	WASHER, FLAT M12	1
4	774051	PIN, COTTER 0.125 X 0.75"	1
5	776216	SPRING, CENTURY #71912S	2

# SPREADER PLATE ASSEMBLY



ITEM NO.	PART NUMBER	DESCRIPTION	QTY.
1	783581	SPREADER PLATE WELDMENT	1
2	780025	SHEAVE, RAB-222 (2"") Z-22	1
3	782960	ROLLER SHAFT, CARR.715/720	1
4	772358	NUT, INSERT JAM 1/2 -13	1
5	771120	SCREW, HHC 1/2-13 x 1.5" LN	1
6	773094	WASHER, FLAT 1/2 SAE	1

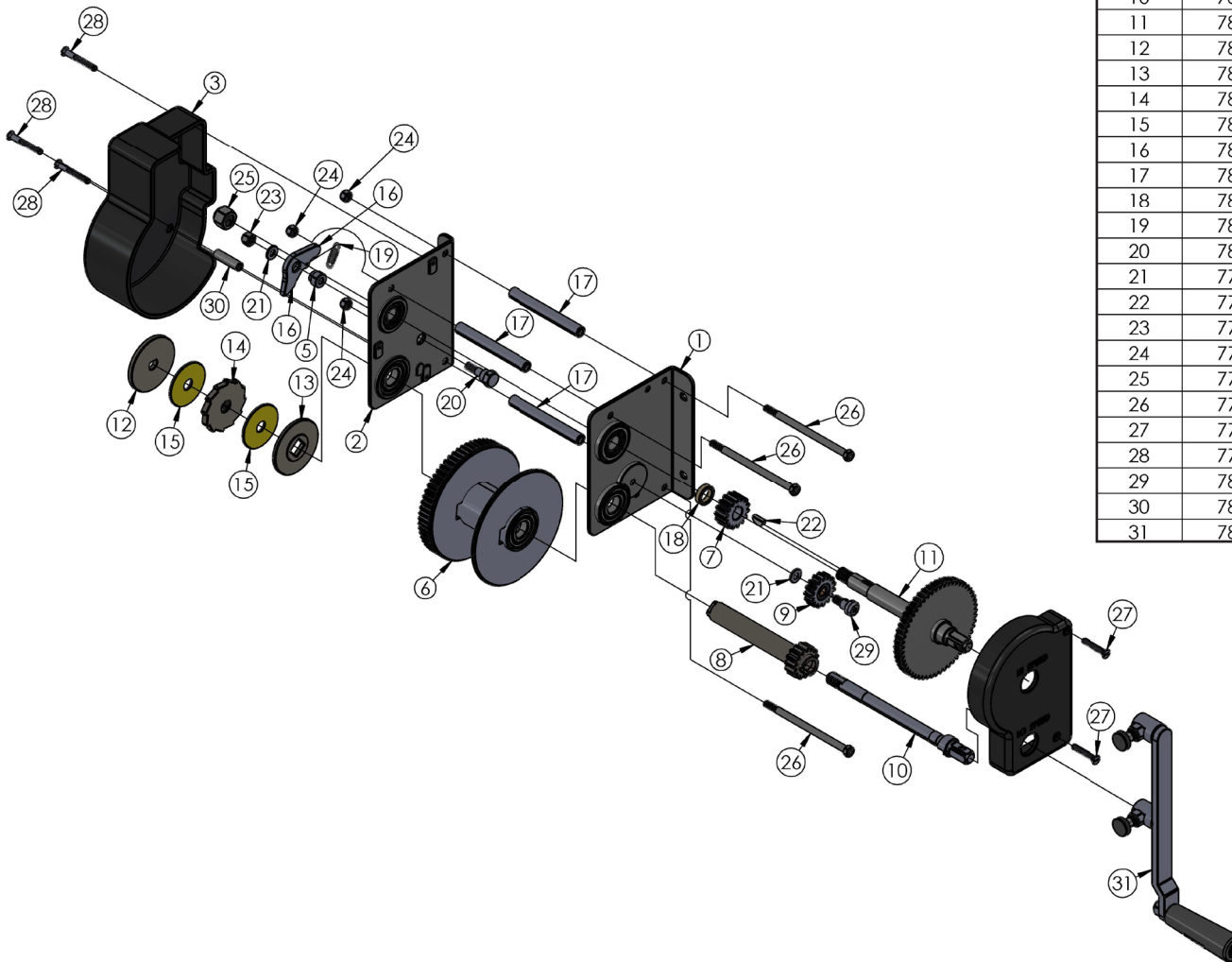
# OUTRIGGER LOCK ASSEMBLY



OUTRIGGER SUPPORT TUBE STUB LOCKS ASSEMBLY IS INSTALLED TO SUPPORT THE ASSEMBLY DURING SHIPMENT AND IS TO BE DISCARDED BEFORE INSTALLATION.

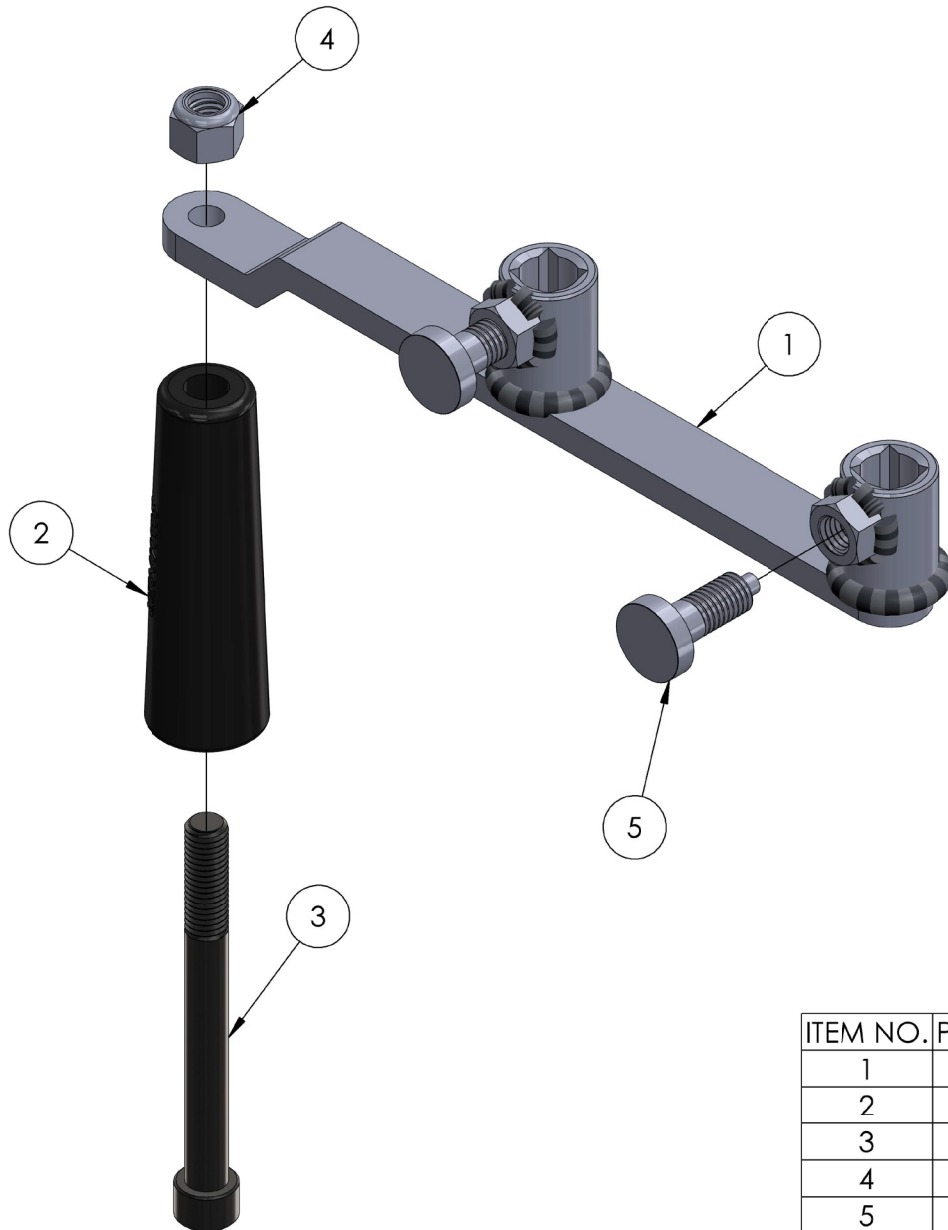
ITEM NO.	PART NUMBER	DESCRIPTION	QTY.
1	783941	OUTRIGGER LOCK TUBE	1
2	783942	OUTRIGGER LOCK FINGER	2
3	783944	OUTRIGGER SUPPORT TUBE STUB	1
4	771141	SCREW, HHC 1/2-13X2.75" LN	1
5	772358	NUT, INSERT JAM 1/2 -13	1
6	779938	CAP, RECT RD END 3/16X0.5X2.0"	2
7	776221	CENTURY SPRING #2952	1
8	774084	PIN, SPRING 3/16X2.0"	2

# WINCH ASSEMBLY



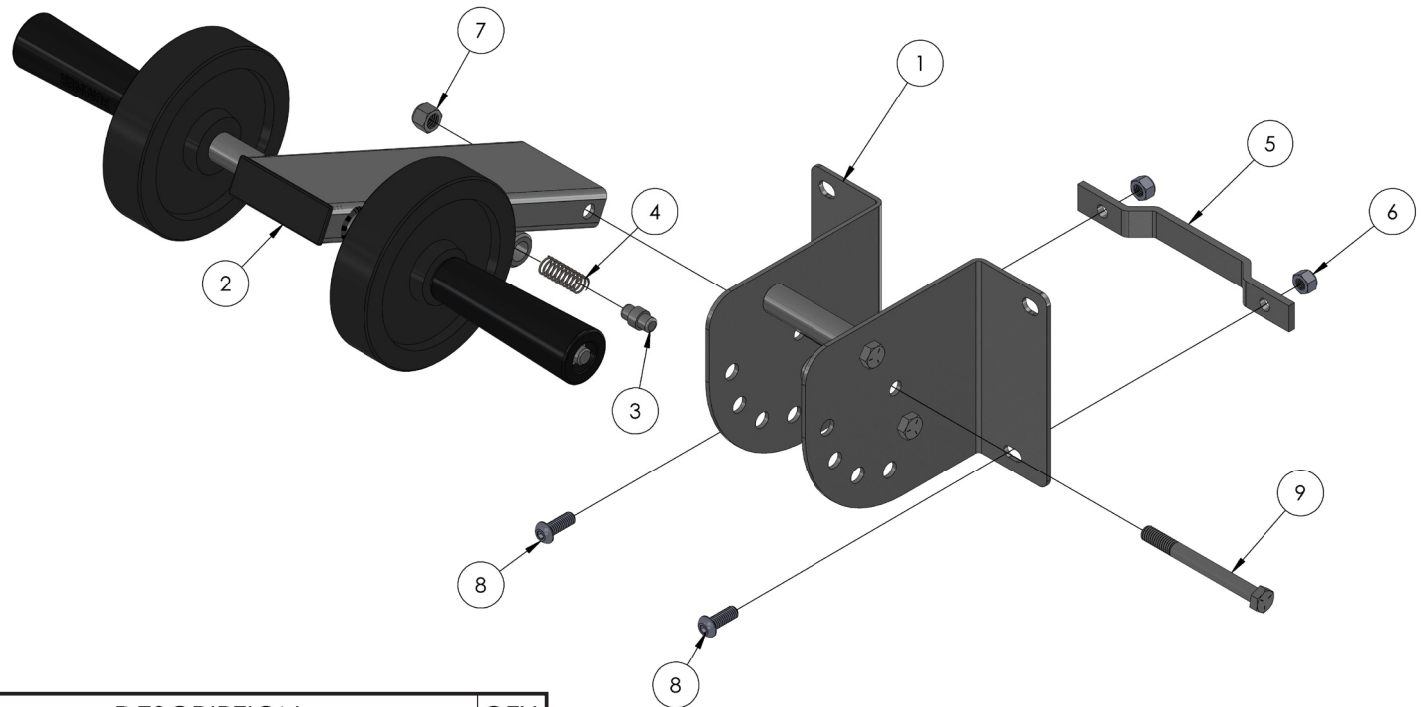
ITEM NO.	PART NUMBER	DESCRIPTION	QTY.
1	785381	SIDE PLATE ASSEMBLY -LH, WINCH 2-SPEED	1
2	785382	SIDE PLATE ASSEMBLY -RH, WINCH 2-SPEED	1
3	785395	WINCH COVER, RH WINCH 2-SPEED	1
4	785396	WINCH COVER, LH WINCH 2-SPEED	1
5	780251	RATCHET DOG SPACER WJ 55	1
6	780202	LOAD DRUM FINAL WLDMNT/ ASSY	1
7	780204	LOAD DRUM PINION WJ-5	1
8	784501	SHAFT, LOW SPEED PINION, SQ END	1
9	780207	IDLER GEAR ASSEMBLY	1
10	785393	LOW SPEED DRIVE SHAFT, 2-SPEED WINCH	1
11	785391	HI-SPD DRIVE SHAFT WLDMT, 2-SPEED WINCH	1
12	780212	PLATE, OUTER BRAKE DISC, NL WINCH	1
13	784498	PLATE, INNER BRAKE DISC, NL WINCH	1
14	780214	BRAKE RATCHET WJ-15	1
15	786955	UNIVERSAL BRAKE DISC	2
16	780217	LOAD RATCHET DOG WJ-20	1
17	780221	SPREADER BAR WJ-24	3
18	780225	LOAD DRUM PINION SPACER WJ-28	1
19	783621	RATCHET DOG SPRING	1
20	780612	RATCHET STUD CS-49	1
21	773042	WASHER, FLAT 5/16	2
22	774075	KEY #606 3/16" X 3/4"	1
23	772350	NUT, INSERT JAM 3/8 - 16	1
24	772502	NUT, INSERT JAM 5/16-18	3
25	772375	NUT, INSERT JAM 5/8 -16	2
26	771051	SCREW, HHC 5/16-18 X 6 GRD-2	3
27	771286	SCREW, FHM 1/4-20 X 1-3/4	2
28	771290	SCREW, FHSC 1/4-20 X 2.25"LN	3
29	780496	SHOULDER SCREW MODIFIED CS-51	1
30	785376	SPACER, 2 SPEED WINCH COVER	1
31	785398	WINCH HANDLE ASSEMBLY, 2 SPEED CB LIFT	1

# WINCH HANDLE ASSEMBLY



ITEM NO.	PART NUMBER	DESCRIPTION	QTY.
1	785399	WINCH HANDLE WELDMENT, 2-SPEED WINCH	1
2	780182	WINCH HANDLE SLEEVE	1
3	771254	SCREW, SHC 1/2 -13 X 5"LN	1
4	772358	NUT, INSERT JAM 1/2 -13	1
5	774180	SPRING PLUNGER,M 1/4 DIA.	2

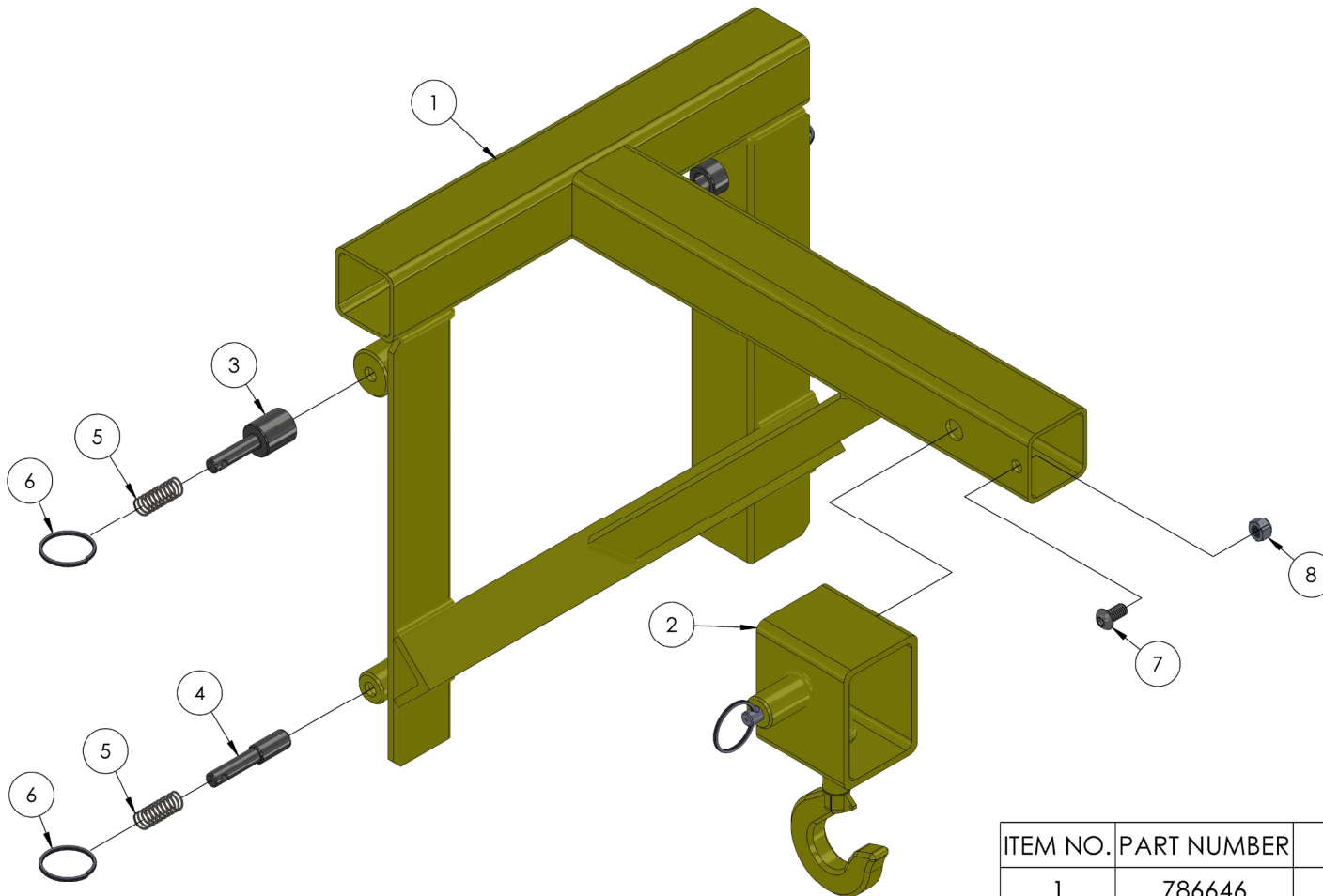
# HANDLE ASSEMBLY



ITEM NO.	PART NUMBER	DESCRIPTION	QTY.
1	786576	HANDLE MOUNTING PLATE ASSEMBLY	1
2	786580	WHEEL HANDLE ASSEMBLY	1
3	783509	PIN DETENT	1
4	776212	SPRING, #DWC - 042 - G - 9	1
5	786696	STRAP FOR HANDLE ASSEMBLY	1
6	772502	NUT, INSERT JAM 5/16-18	2
7	772350	NUT, INSERT JAM 3/8 - 16	1
8	771239	SCREW, BHC 5/16-18 X 7/8"	2
9	771098	SCREW, HHC 3/8-16 X 3-3/4	1

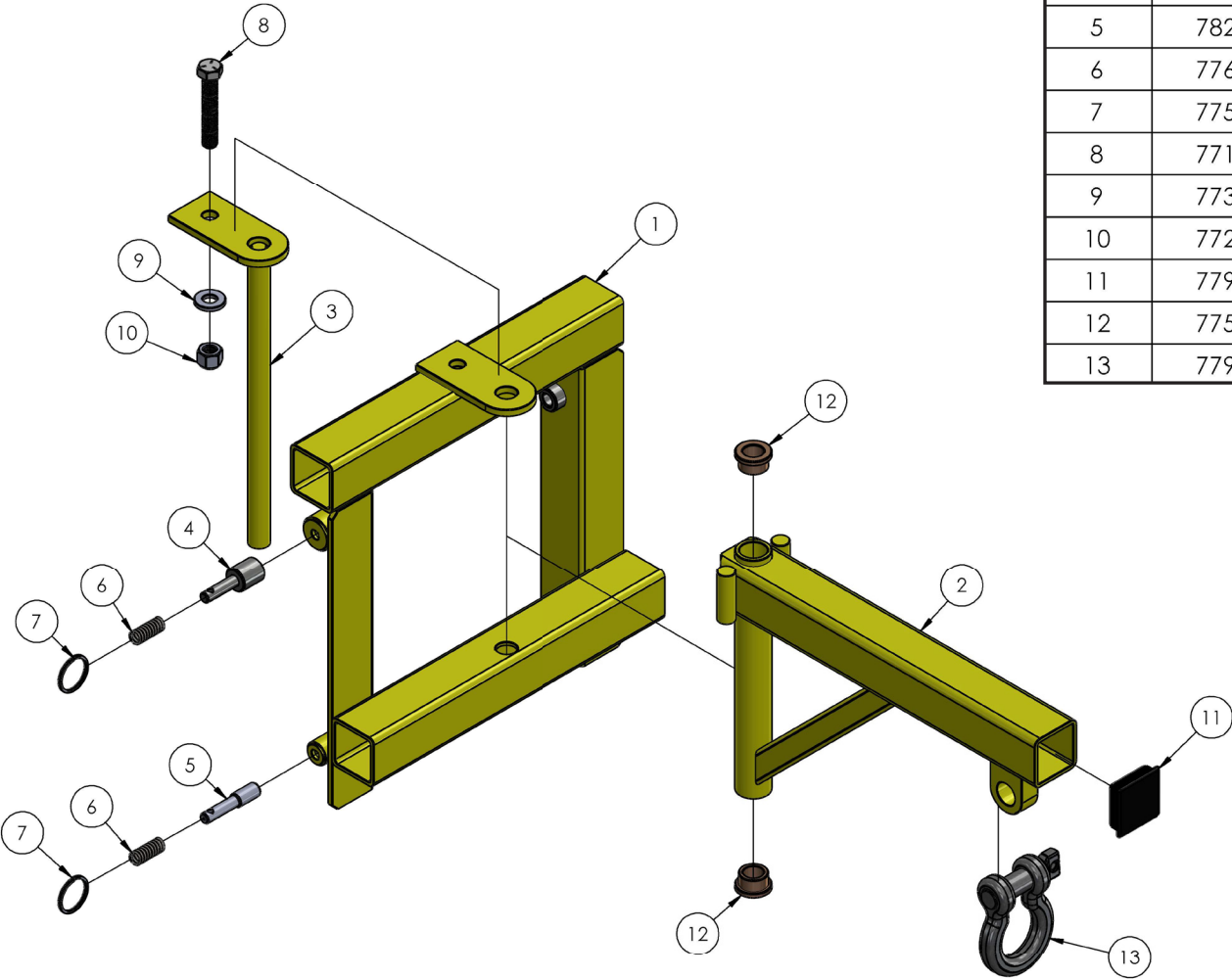


# BOOM ASSEMBLY



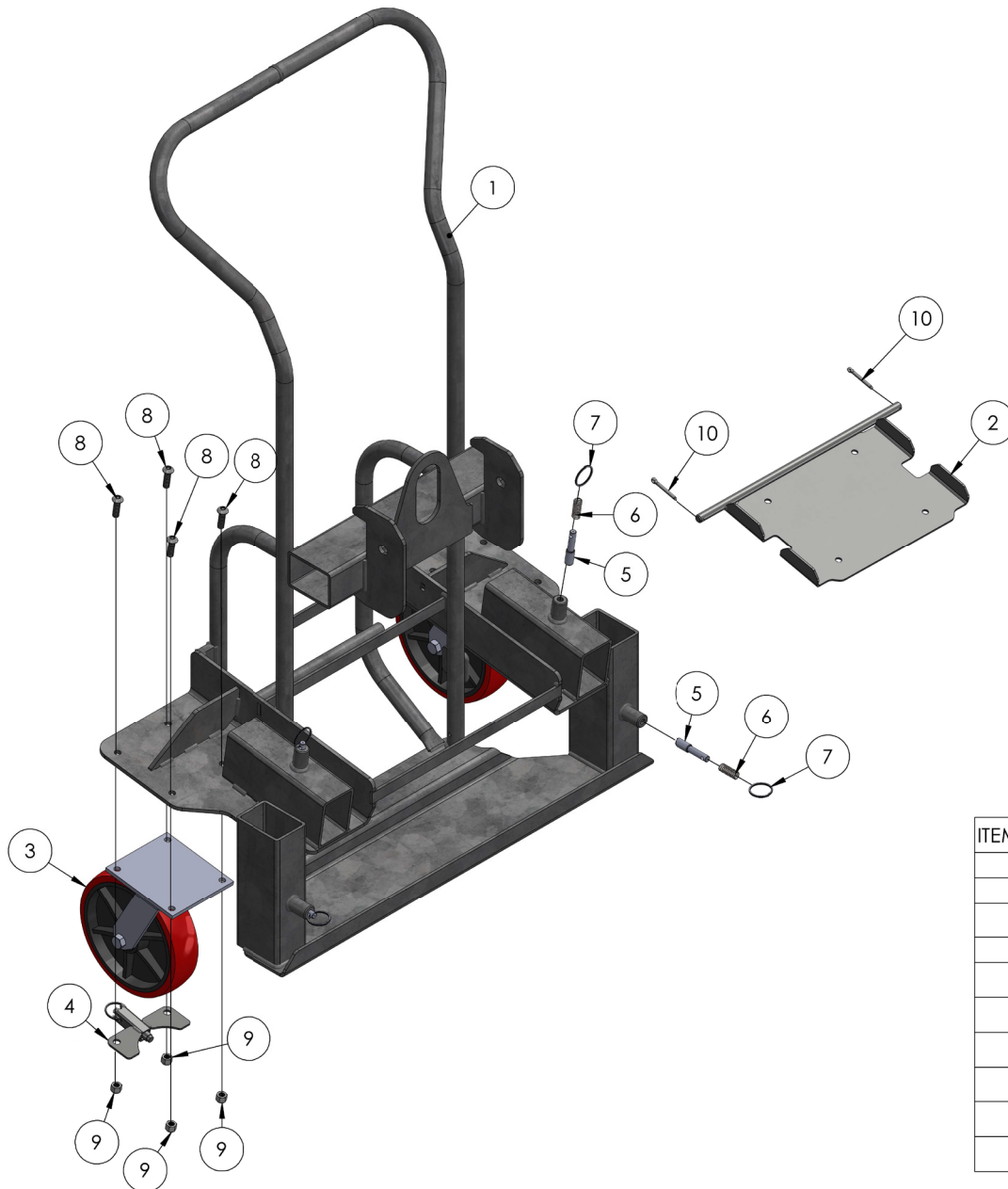
ITEM NO.	PART NUMBER	DESCRIPTION	QTY.
1	786646	BOOM WELDMENT, CB LIFT	1
2	783672	HOOK BLOCK ASSEMBLY	1
3	786599	PLUNGER, CB LIFT	2
4	782510	PLUNGER	2
5	776212	SPRING, #DWC - 042 - G - 9	4
6	775110	SPLIT RING 1-1/4" NICKLE PLATED	4
7	771049	SCREW, BHC 5/16-19 X .625"LN	1
8	772502	NUT, INSERT JAM 5/16-18	1

# GLASS BOOM ASSEMBLY



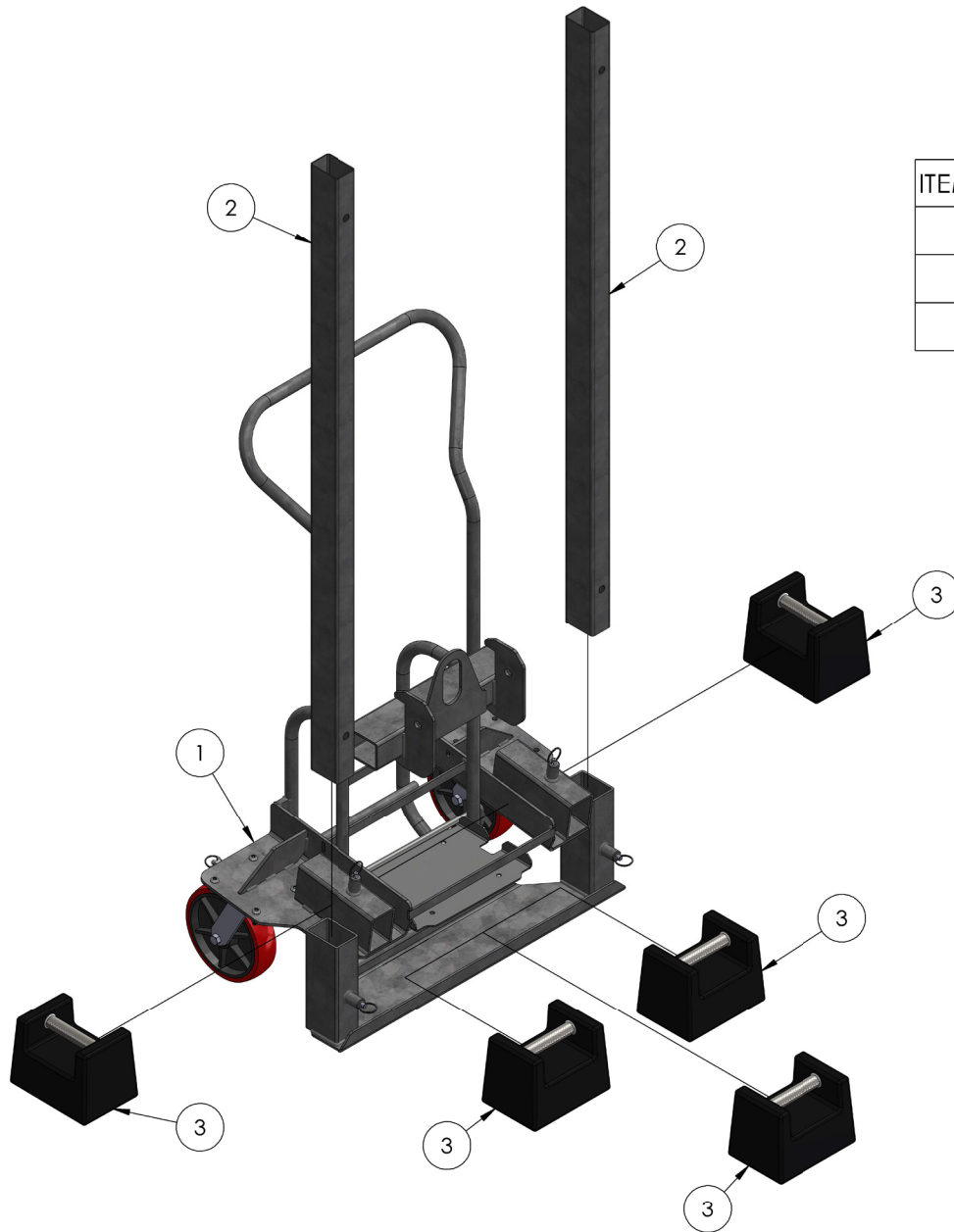
ITEM NO.	PART NUMBER	DESCRIPTION	QTY.
1	786755	GLASS BOOM WELDMENT, CB LIFT	1
2	786765	ROTATING BOOM ARM	1
3	786760	STABILIZER/HOLD DOWN	1
4	786599	PLUNGER, CB LIFT	2
5	782510	PLUNGER	2
6	776212	SPRING, #DWC - 042 - G - 9	4
7	775110	SPLIT RING 1-1/4" NICKEL PLATED	4
8	771142	SCREW,HHC 1/2-13 X 3"	1
9	773094	WASHER, FLAT 1/2 SAE	1
10	772358	NUT, INSERT JAM 1/2 -13	1
11	779916	CAP, 2" SQUARE TUBING, BLACK	1
12	775090	BUSH, BZ FL 3/4 X 1 X 5/8	2
13	779413	SCREW PIN ANCHOR SHACKLE 3/4	1

# CART ASSEMBLY



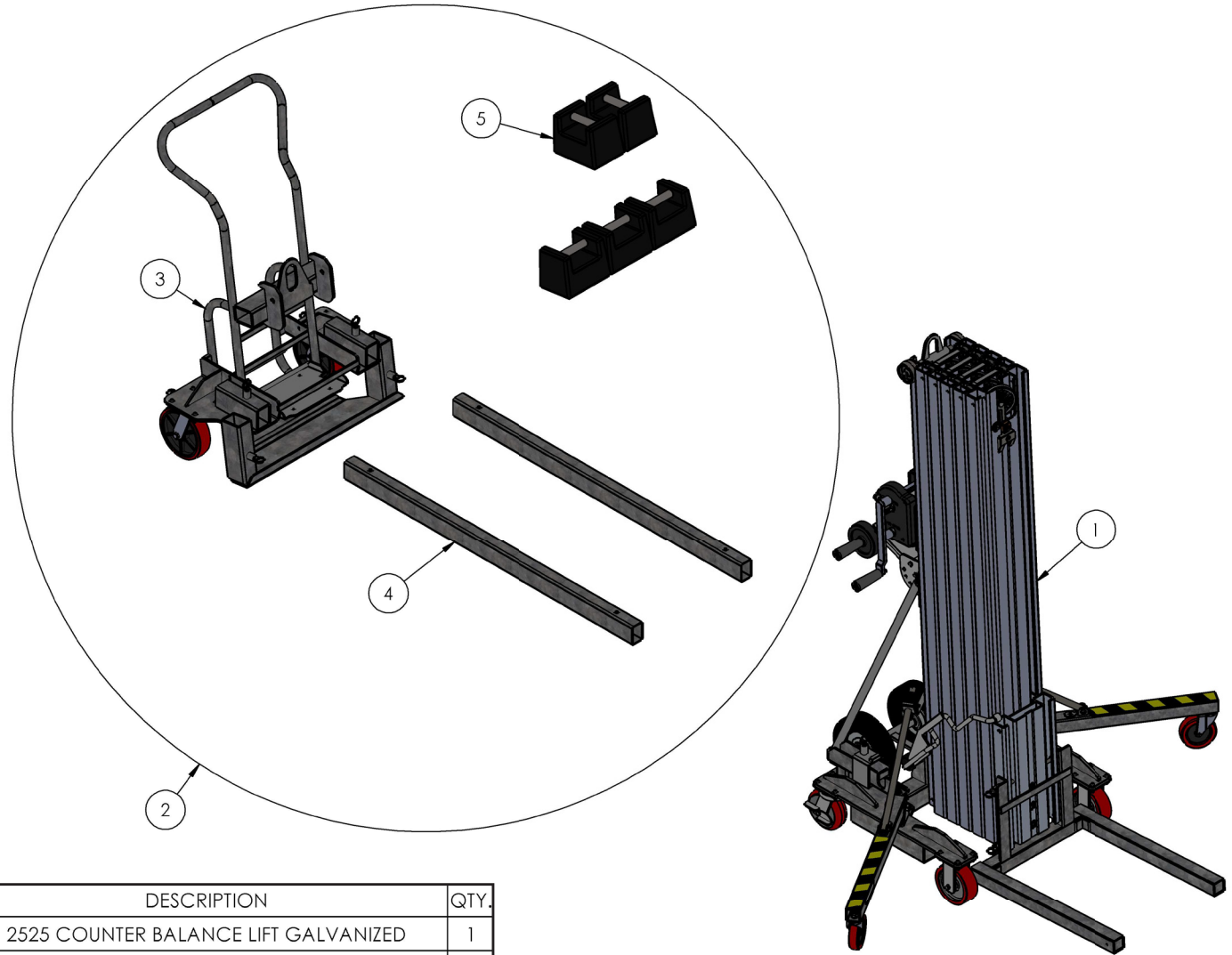
ITEM NO.	PART NUMBER	DESCRIPTION	QTY.
1	786605	CART WELDMENT, CB LIFT GALVANIZED	1
2	786630	WEIGHT TRAY WELDMENT, CB CART GALVANIZED	1
3	779046	CASTER ASSY SWIVEL W/ BRAKE 8X2	2
4	785350	SWIVEL LOCK ASSY, GANTRY CASTER	2
5	782510	PLUNGER	4
6	776212	SPRING, #DWC - 042 - G - 9	4
7	775110	SPLIT RING 1-1/4" NICKLE PLATED	4
8	771267	SCREW, BHC 3/8-16 X 1-1/4	4
9	772355	NUT, INSERT LOCK 3/8-16	4
10	774049	COTTER-PIN, BRASS 3/16 X 1-1/2"	2

# CART ASSEMBLY WITH WEIGHTS



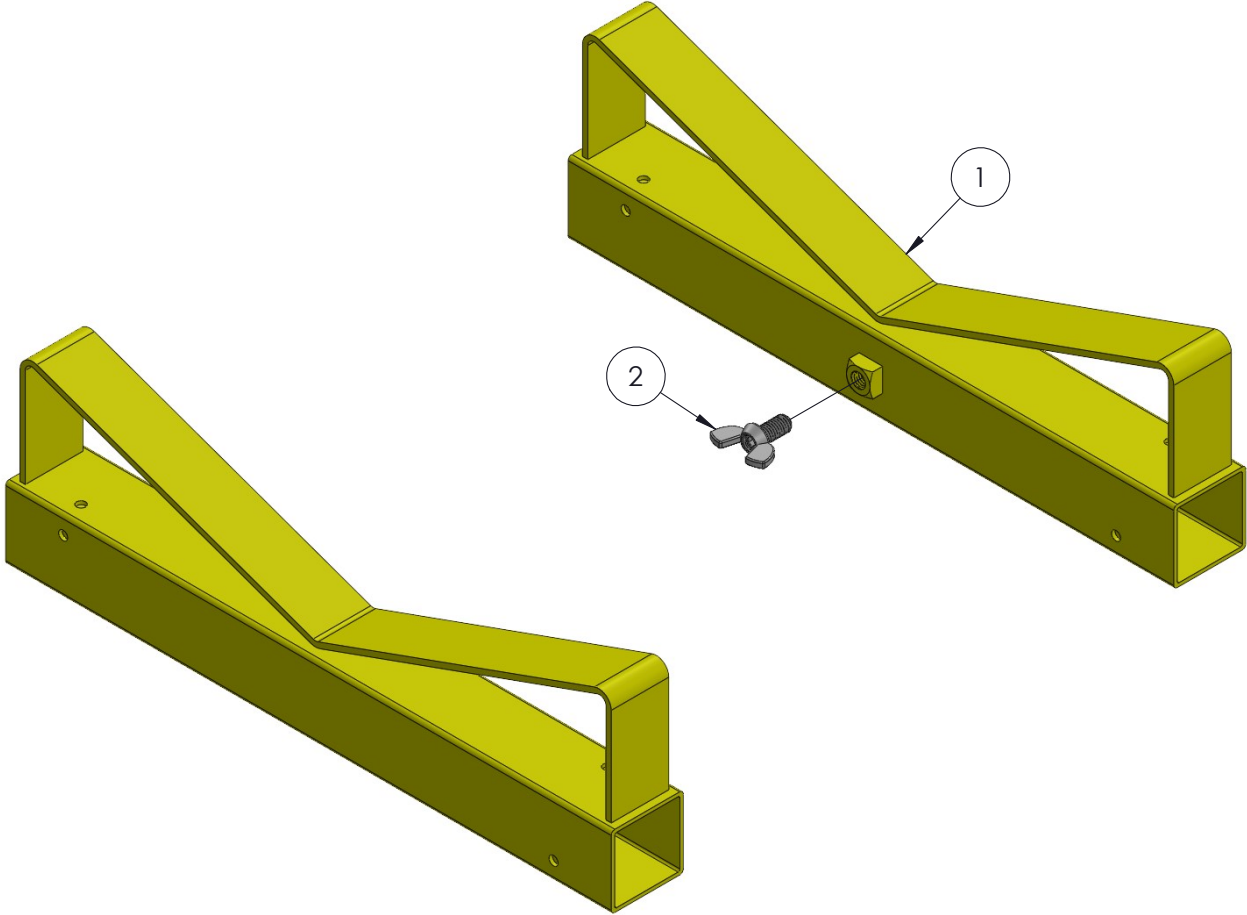
ITEM NO.	PART NUMBER	DESCRIPTION	QTY.
1	786601	CART ASSEMBLY, CB LIFT GALVANIZED	1
2	786639	BASE EXTENSION, CB LIFT GALVANIZED	2
3	779685	WEIGHT, 20 KG.	5

# LIFT AND CART ASSEMBLY



ITEM NO.	PART NUMBER	DESCRIPTION	QTY.
1	786533	2525 COUNTER BALANCE LIFT GALVANIZED	1
1	786532	2520 COUNTER BALANCE LIFT GALVANIZED	1
1	786531	2515 COUNTER BALANCE LIFT GALVANIZED	1
1	786530	2510 COUNTER BALANCE LIFT GALVANIZED	1
2	786603	CART ASSY W/ WEIGHTS AND BASE EXT, GALV	1
3	786600	CART ASSEMBLY, CB LIFT	1
4	786639	BASE EXTENSION, CB LIFT GALVANIZED	2
5	779685	WEIGHT, 20 KG	5

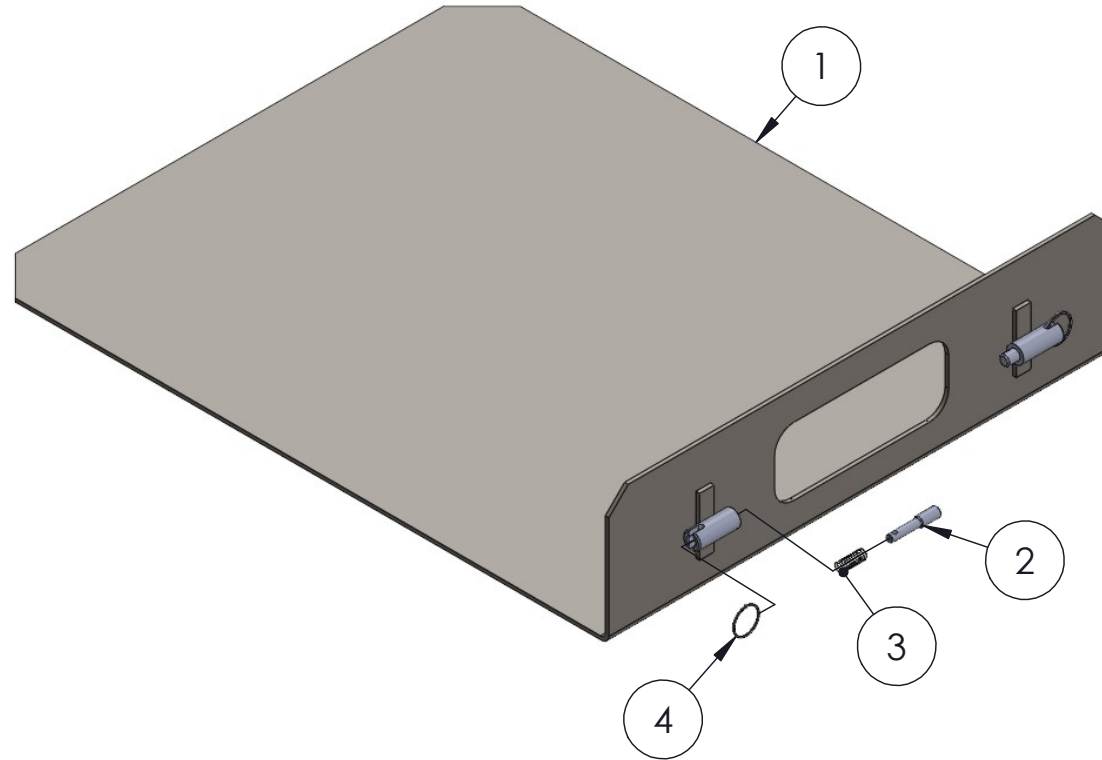
# PIPE CRADLE ASSEMBLY



ITEM NO.	PART NUMBER	DESCRIPTION	QTY.
1	783706	PIPE CRADLE WELDMENT	2
2	780286	WING SCREW	2



# TRAY ASSEMBLY



ITEM NO.	PART NUMBER	DESCRIPTION	QTY.
1	786321	TRAY WELDMENT 2000/2100/2500	1
2	782510	PLUNGER	2
3	776212	SPRING, #C0480-042-1250-M	2
4	775110	SPLIT RING 1-1/4" NICKEL PLATED	2