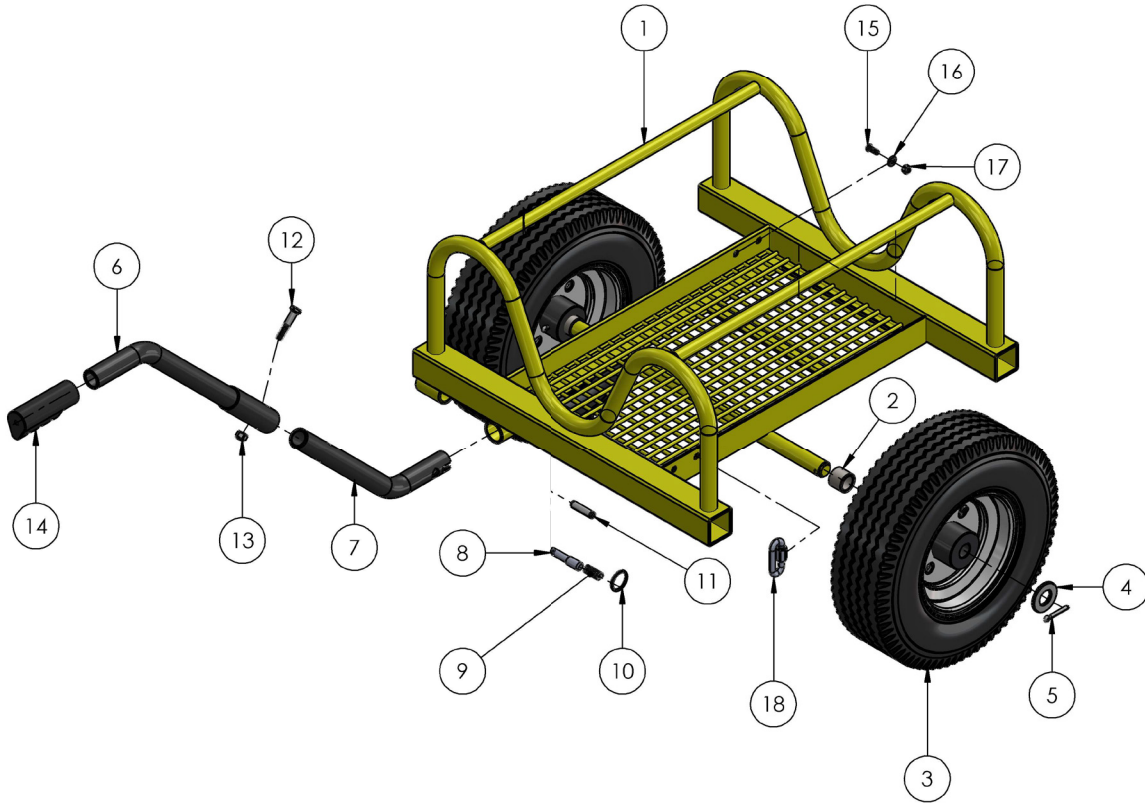


CRICKET ASSEMBLY



ITEM NO.	PART NUMBER	DESCRIPTION	QTY.
1	782730	CRICKET FINAL WELDMENT	1
2	782738	WHEEL SPACER, CRICKET	2
3	779107	480/400 X 8 PNEU TIRE & WHL	2
3	779104	WHEEL, 480/400 X 8 FLAT FREE	2
4	773100	FLAT WASHER, USS 1"	2
5	774049	COTTER-PIN, BRASS 3/16 X 1-1/2"	2
6	782733	UPPER HANDLE WELDMENT, CRICKET	1
7	782734	LOWER HANDLE, CRICKET	1
8	782510	PLUNGER	1
9	776212	SPRING, #DWC - 042 - G - 9	1
10	775110	SPLIT RING 1-1/4" NICKEL PLATED	1
11	774090	ROLL PIN 3/8 DIA X 2" LONG	1
12	771112	SCREW, HHC 3/8-16 X 2	1
13	772355	NUT, INSERT LOCK 3/8-16	1
14	779112	HANDLE GRIP, BLACK	1
15	771046	SCREW, BHSC 1/4-20 X 0.75"	1
16	773020	WASHER, FLAT 1/4"	1
17	772076	NUT, INSERT LOCK 1/4-20	1
18	779315	RAPID LINK, 1/4"	1
19	779110	1" RATCHET	1
20	779111	TIE DOWN STRAP AND HOOK	1

TIE-DOWN STRAP AND BUCKLE NOT SHOWN (ITEMS 19 AND 20)