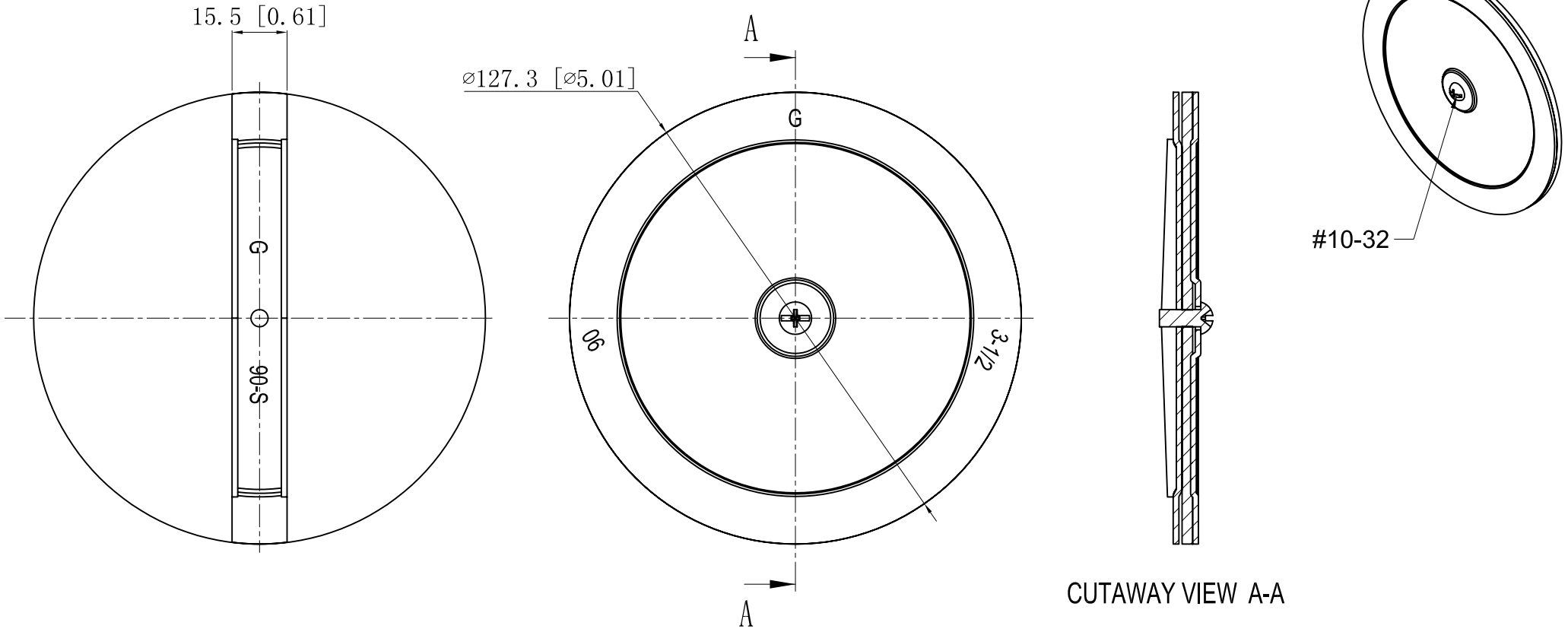


SIDES	BOTTOM
1 PCS #10-32×1/2 Screws Installed	
Material:Steel-0.0625"-C. R. S Galvanized	



DESCRIPTION
TRADE REFERENCE TERMS

This data sheet is for reference only .GARVIN INDUSTRIES reserves the right to make changes to the design without prior notice.

STANDARD PACKING	GARVIN INDUSTRIES		
5 PCS			
	SIZE	DWG NO.	REV
	A4	KOS-350-VT	
		DATA SHEET	