



# Southwire™

## BX, FLEX, NM AND MC CABLE CONNECTORS

### SQUEEZE STRAP TYPE

#### FEATURES

- Squeeze strap type

#### APPLICATION

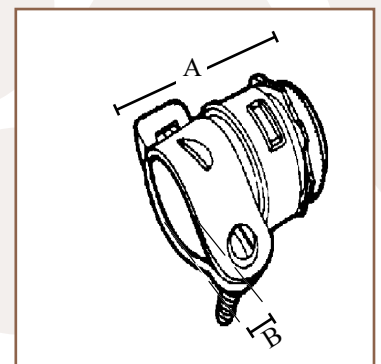
- Indoor use only
- In a dry location
- Use to connect flexible metallic conduit, AC, and MC cable to a steel outlet box or other metal enclosure

#### STANDARD MATERIAL

- Zinc
- Zinc plated steel strap



191



PART #	SIZE	KO	INNER QTY.	MASTER QTY.	WEIGHT/ CASE (LBS.)	A	B (MIN. – MAX.)
191	3/8"	1/2"	25	250	25	1.41"	.62" – .78"

Rev. 0, 01/23

**BUILT FOR DURABILITY.  
BUILT FOR RELIABILITY.  
BUILT FOR WORK.™**

1-855-798-6657 | SOUTHWIRE.COM

©2023 Southwire Company, LLC. All rights reserved.  
\*Registered Trademark & ™Trademark of Southwire Company, LLC.