



Southwire™

LOW PROFILE SADDLE BITE CONNECTOR

FEATURES

- Tri-combo screw head
- UL listed for use with MC, AC, FMC, RWFMC, MCI and MCI-A cables

APPLICATION

- Dry location use only
- Use to connect steel or aluminum FMC, AC, MC cables and aluminum MCC and MCI-A cable to box or enclosure

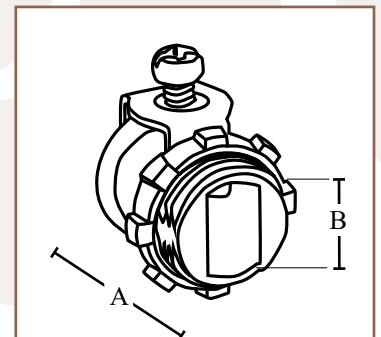
STANDARD MATERIAL

- Zinc die cast
- Zinc plated steel strap



170LP

APPROVED WIRES	
ARMORED CABLE, STEEL	14/2 – 10/4
ARMORED CABLE, ALUMINUM	14/2 – 10/4
METAL CLAD CABLE, MCI, STEEL	14/2 – 10/4
METAL CLAD CABLE, MCI, ALUMINUM	14/2 – 10/4
METAL CLAD CABLE, MCI-A, ALUMINUM	14/2 – 10/4
METAL CLAD CABLE, MCC ALUMINUM	14/2
FMC/RWFMC, STEEL	3/8
FMC/RWFMC, ALUMINUM	3/8



PART #	SIZE	KO	INNER QTY.	MASTER QTY.	WEIGHT/CASE (LBS.)	A	B (MIN. – MAX.)
170LP	3/8"	1/2"	25	250	28	.935"	.40" – .50"

Rev. 0, 01/23

**BUILT FOR DURABILITY.
BUILT FOR RELIABILITY.
BUILT FOR WORK.™**

1-855-798-6657 | SOUTHWIRE.COM

©2023 Southwire Company, LLC. All rights reserved.
*Registered Trademark & ™Trademark of Southwire Company, LLC.