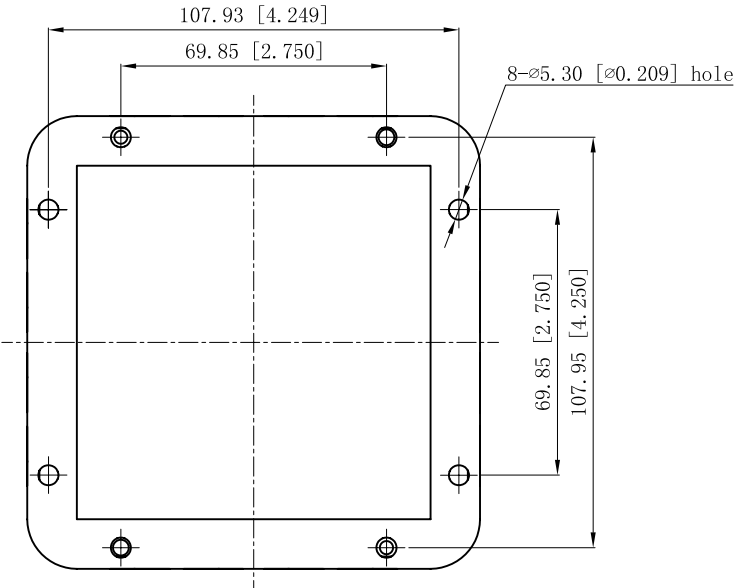
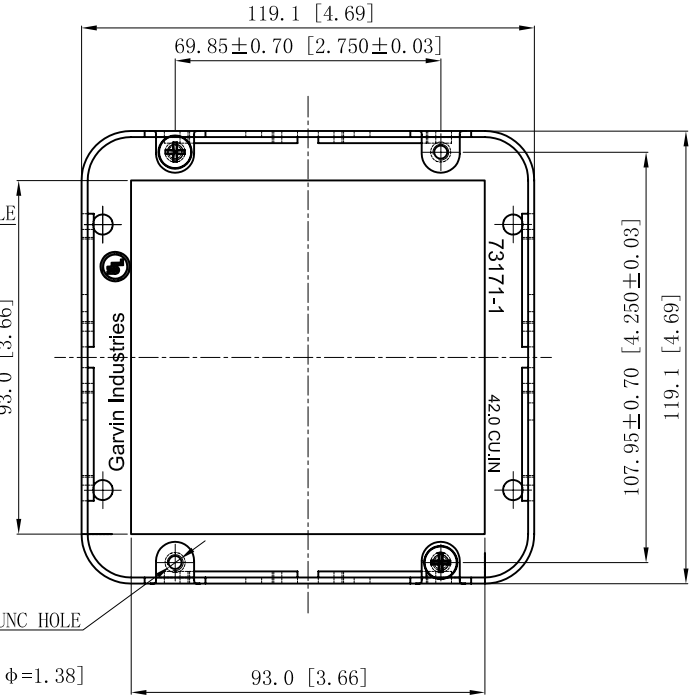
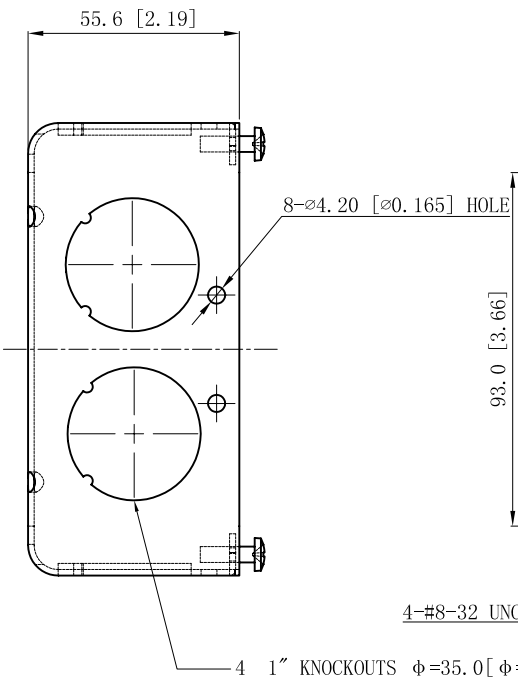
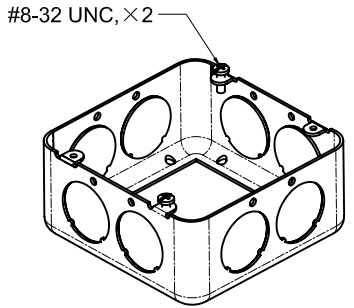
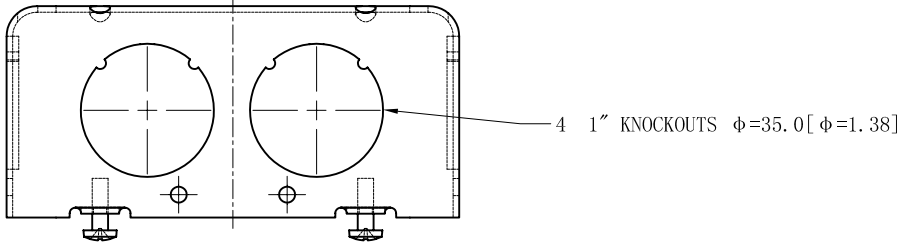


SIDES	BOTTOM
8 1" KNOCKOUTS	
2 PCS 8-32×1/2 Screws Installed	
Material: Steel-0.0625"-G60 Galvanized	



DESCRIPTION
TRADE REFERENCE TERMS

This data sheet is for reference only. GARVIN INDUSTRIES reserves the right to make changes to the design without prior notice.

STANDARD PACKING	GARVIN INDUSTRIES		
	TITLE 4-11/16" SQUARE EXTENSION RINGS 2-1/8" DEEP		
25 PCS	SIZE	DWG NO.	REV
	A4	73171-1	B
DATA SHEET			