



Southwire™

BEAM/PURLIN FLANGE CLIP WITH STUD

APPLICATION

Attaches to beam flanges to support rods or straps.
Threaded stud feature provides support for outlet boxes.

FEATURES

- Hammer-on installation
- 1/4"-20 Threaded stud; 3/8" length
- Accommodates 1/4" size rod
- Bottom mount

MATERIAL/FINISH

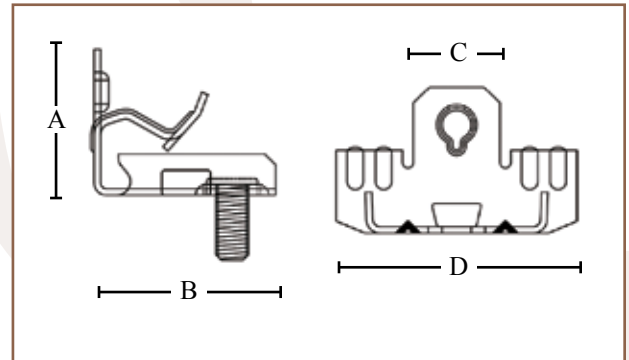
Spring Steel/GEOSEAL™

CERTIFICATIONS

UL Standard: UL 2239



M912STZ



PART #	FLANGE THICKNESS	LOAD CAPACITY (LBS.)			A	B	C	D	BOX QTY.
		VERTICAL ROD (LBS.)	HORIZONTAL ROD (LBS.)	VERTICAL STRAP (LBS.)					
M24STZ	1/8" – 1/4"	100	25	75	1.06"	1.32"	.630"	1.75"	100
M58STZ	5/16" – 1/2"	100	25	75	1.34"	1.36"	.630"	1.75"	100
M912STZ	9/16" – 3/4"	100	25	75	1.63"	1.46"	.630"	1.75"	100

Rev. 0, 03/23

**BUILT FOR DURABILITY.
BUILT FOR RELIABILITY.
BUILT FOR WORK.™**

1-855-798-6657 | SOUTHWIRE.COM

©2023 Southwire Company, LLC. All rights reserved.
*Registered Trademark & ™Trademark of Southwire Company, LLC.