



# Southwire™

## CABLE/CONDUIT SUPPORT

# SNAP-IN CABLE BRACKET

### APPLICATION

Clips onto flanges without tools or screws to wood, block, concrete, or metal studs. Secures MC/AC cables to studs.

### FEATURES

Supports 14-2 to 10-3 MC/AC cables

1/8" max flange thickness

Can be separated to create two separate clips

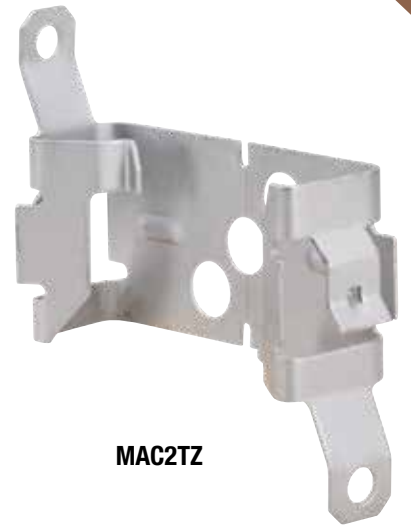
Mounting holes allows for anchoring to wood, concrete or block

### MATERIAL/FINISH

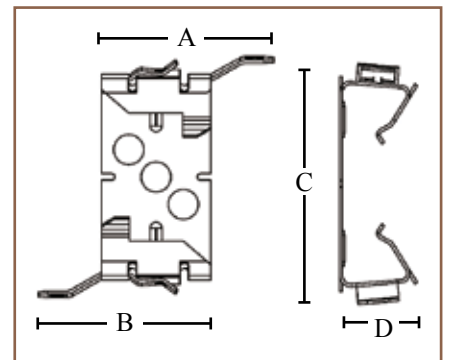
Spring Steel/GEOSEAL™

### CERTIFICATIONS

UL Standard: UL 2239



MAC2TZ



PART #	A & B	C	D	BOX QTY.
MAC2TZ	1.57"	1.967"	.647"	100

Rev. 0, 03/23

**BUILT FOR DURABILITY.  
BUILT FOR RELIABILITY.  
BUILT FOR WORK.™**

1-855-798-6657 | SOUTHWIRE.COM

©2023 Southwire Company, LLC. All rights reserved.  
\*Registered Trademark & ™Trademark of Southwire Company, LLC.