

Item:
RTL6-8W-30K-WH-S



PERFORMANCE RECESSED DOWNLIGHT INSTALLATION INSTRUCTIONS

READ AND FOLLOW ALL SAFETY INSTRUCTIONS!

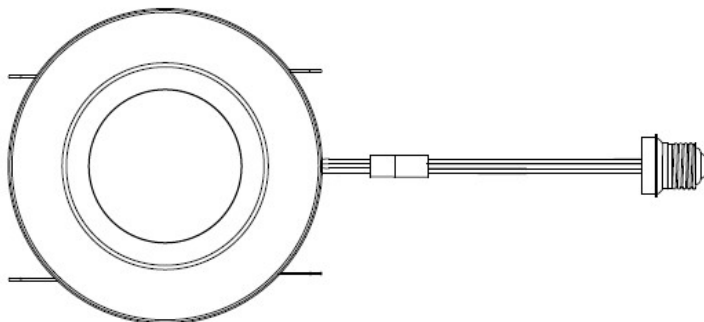
WARNING

- The retrofit kit is accepted as a component of a luminaire where the suitability of the combination shall be determined by authorities having jurisdiction. Make all electrical and ground connections in accordance with local codes or the National Electrical Code. If you are not familiar with these codes and requirements, consult a qualified electrician. This Professional should be familiar with the construction and operation of this product and hazards involved. Failure to do so may result in serious personal injury.
- Risk of fire, or electric shock. Install this kit only in luminaires that have the construction features and dimensions shown in the pictures and/or drawings and where the input rating of the retrofit kit does not exceed the input rating of the luminaire.
- Read and follow all safety instructions. If you do not understand these instructions or if any additional information is required, contact your local Topaz representative. Retain these instructions for maintenance reference.
- Disconnect power at the circuit breaker panel before any installation.

CAUTION

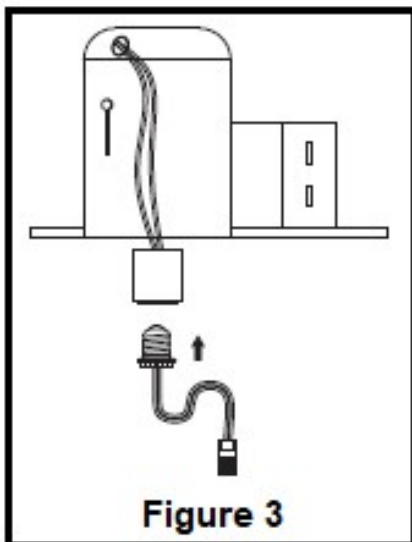
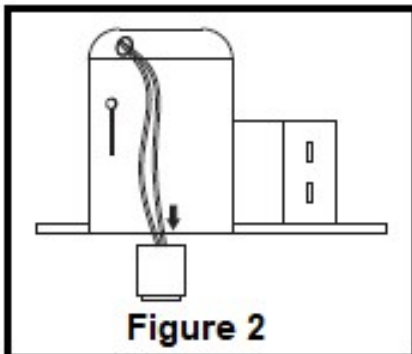
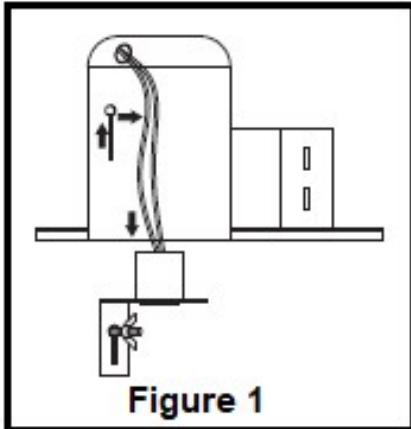
- Do not expose wire to any sharp objects such as sheet metal to prevent wiring damage or abrasion.
- While the light is on, please avoid direct eye exposure.
- Combustible material should be kept away from fixture/LENS.
- Do not make or alter any open holes in any enclosure or any electrical component during installation.
- Examine all parts intended to install for damage prior to use. Do not use when the enclosure is damaged or broken in any way.
- Min Lamp Compartment Dimensions: 5.51”(DIA) X 7.48”(H)
- Do not alter, relocate or remove wiring, lamp holder power supply or any other electrical component.
- Suitable for wet locations, covered ceiling mounted luminaires specified in installation instruction
- This device is not intended to be used with any emergency lighting fixture.

Model	Input Voltage	Frequency	Power	Rated Current
RTL6-8W-30K-WH-S	120V	60Hz	7.5W	0.13A



PERFORMANCE RECESSED DOWNLIGHT INSTALLATION INSTRUCTIONS

Installation Instructions:

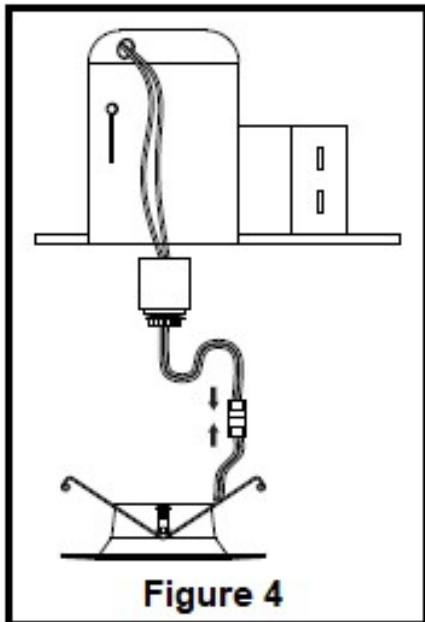


1. Make sure to turn off power before beginning any electrical work.
 2. Remove existing bulb and trim(if necessary). Attach the provided field label to the luminaire where readily visible by the user during relamping.
 3. If applicable, loosen the screws on socket bracket, push the bracket upward to top-most location. Remove existing socket mounting plate from recessed housing, then remove lamp socket from the plate. See Figure 1 and Figure 2
 4. Disconnect the orange plug on the Edison base adapter from the fixture and install the Edison base into the socket. See Figure 3
- *Note: For LED-ready cans, remove the Edison base adapter and use the orange quick-connect on the fixture to connect directly to the can and skip to step 6.**

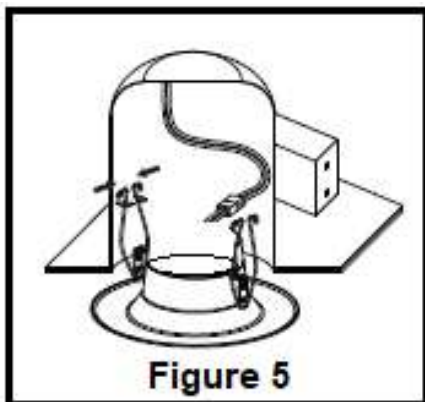
Item:
RTL6-8W-30K-WH-S



PERFORMANCE RECESSED DOWNLIGHT INSTALLATION INSTRUCTIONS



5. Plug the fixture back into the Edison base adapter using the orange connectors. See Figure 4



6. Squeeze torsion springs together as shown in Figure 5. Install into the torsion spring brackets inside the recessed can. Carefully route the wires into the can and push the fixture up to seat flush along the ceiling.
7. Turn power on.

****NOTE: THESE INSTRUCTIONS DO NOT ADDRESS ALL PERMUTATIONS THAT MAY EXIST IN INSTALLATION, MAINTENANCE, AND OPERATING ENVIRONMENT.**