



Southwire™

DUPLEX CONNECTORS

90° - FOR BX, FLEX, NM AND MC CABLE

FEATURES

- Duplex 2 screw clamp
- UL listed locknut
- NPSM thread
- Tri-combo screw head

APPLICATION

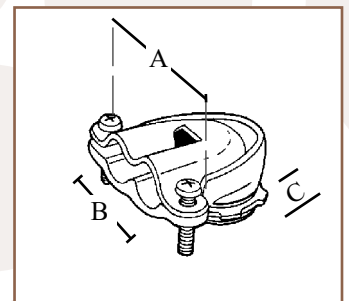
- Indoor dry location use only
- For armored cable, flexible metallic conduit, interlocked metal clad, NM and SE cables to a box or enclosure

STANDARD MATERIAL

- 561A - Malleable iron
- 561ADC - Zinc
- Stamped steel cover



561A



PART #	SIZE	KO	INNER QTY.	MASTER QTY.	WEIGHT/CASE (LBS.)	A	B	C
561A	3/8"	1/2"	25	250	37	1.50"	.858"	.38"
561ADC	3/8"	1/2"	25	250	30	2.016"	---	1.087"

Rev. 0, 01/23

**BUILT FOR DURABILITY.
BUILT FOR RELIABILITY.
BUILT FOR WORK.™**

1-855-798-6657 | SOUTHWIRE.COM

©2023 Southwire Company, LLC. All rights reserved.
*Registered Trademark & ™Trademark of Southwire Company, LLC.