



Southwire™

EMT OFFSET CONNECTORS

COMPRESSION TYPE - EMT TO BOX - ZINC DIE CAST

FEATURES

- Concrete tight

APPLICATION

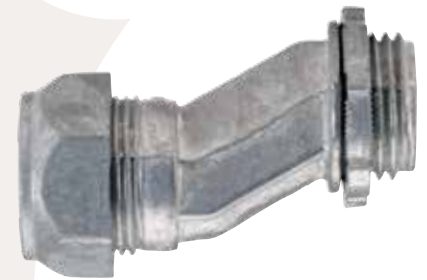
- Indoor or outdoor use
- Use to connect EMT conduit to a metal outlet box or enclosure where an offset is desired

STANDARD MATERIAL

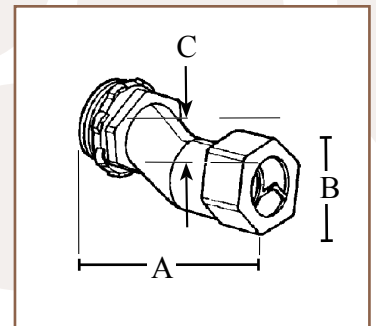
- Zinc die cast

CERTIFICATIONS

- cULus



781TZ



PART #	SIZE	INNER QTY.	MASTER QTY.	WEIGHT/ CASE (LBS.)	A	B	C
781TZ	1/2"	20	200	26	2.13"	1"	.52"
782TZ	3/4"	10	100	21	2.90"	1.19"	.75"

Rev. 0, 01/23

**BUILT FOR DURABILITY.
BUILT FOR RELIABILITY.
BUILT FOR WORK.™**

1-855-798-6657 | SOUTHWIRE.COM

©2023 Southwire Company, LLC. All rights reserved.
*Registered Trademark & ™Trademark of Southwire Company, LLC.