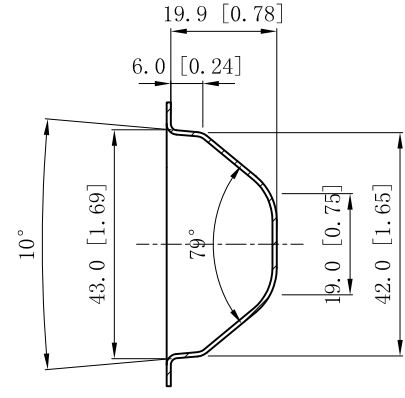
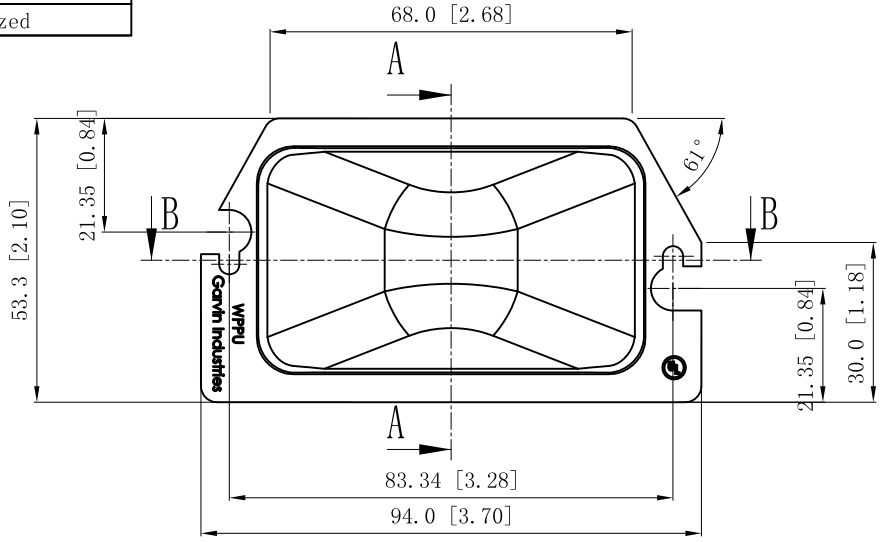
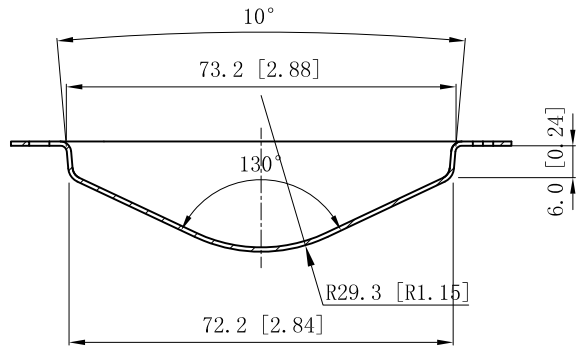


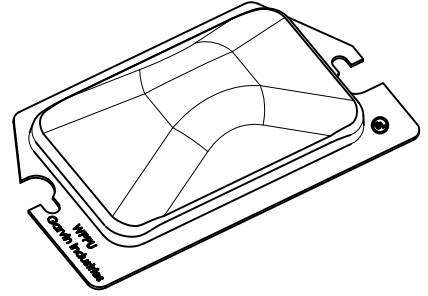
SIDES	BOTTOM
Material: Steel-0.031MIN"-G60 Galvanized	



CUTAWAY VIEW A-A



CUTAWAY VIEW B-B



This data sheet is for reference only .GARVIN INDUSTRIES reserves the right to make changes to the design without prior notice.

DESCRIPTION
TRADE REFERENCE TERMS

STANDARD PACKING

TITLE			GARVIN INDUSTRIES		
HANDY UTILITY BOX COVERS					
SIZE	DWG NO.				REV
A4					
DATA SHEET					
www.garvinindustries.com					