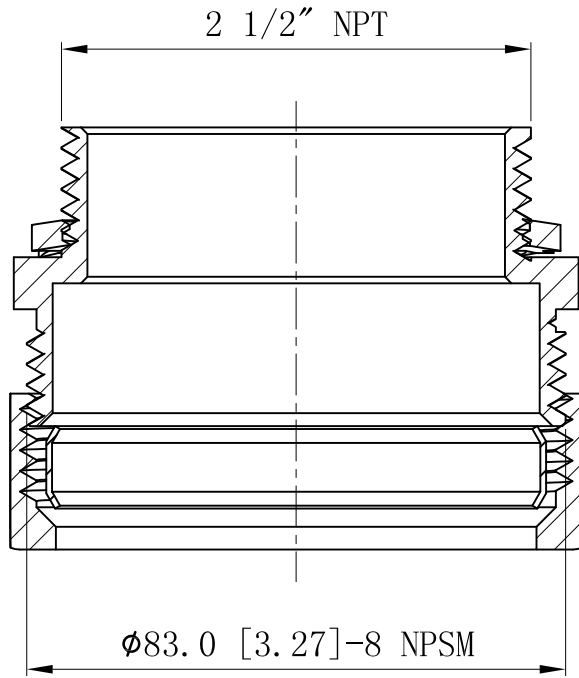
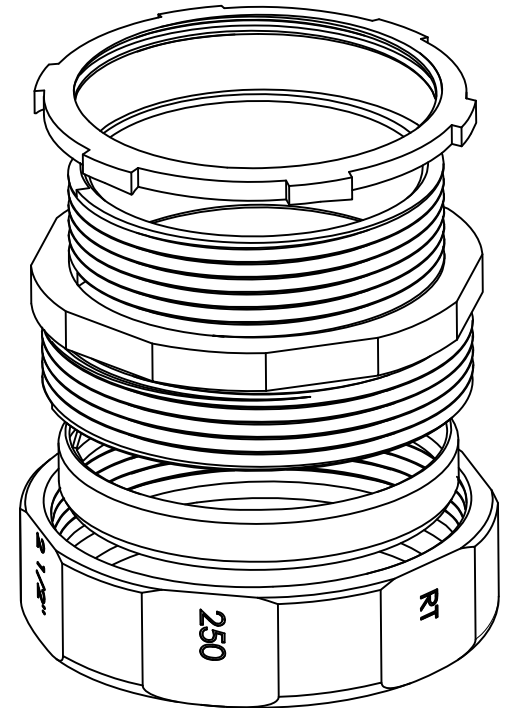
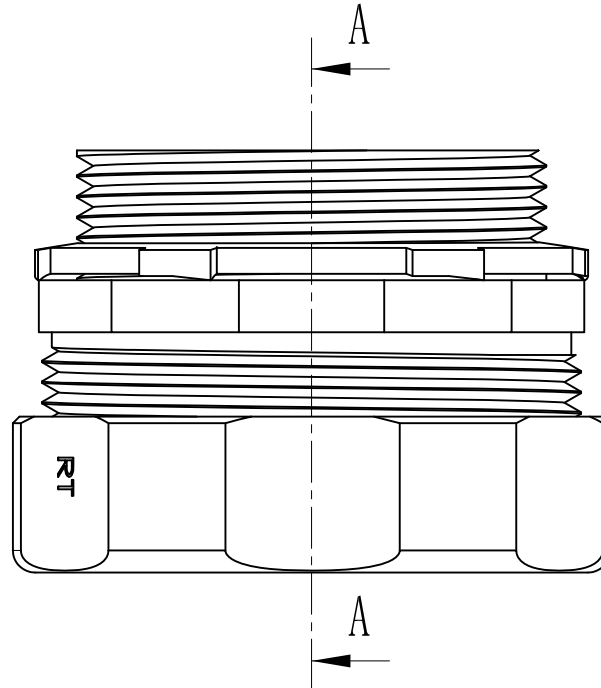


SIDES	BOTTOM
Material:C1018 Seamless steel tube	



CUTAWAY VIEW A-A



This data sheet is for reference only .GARVIN INDUSTRIES reserves the right to make changes to the design without prior notice.

DESCRIPTION
TRADE REFERENCE TERMS

STANDARD PACKING
5 PCS

GARVIN INDUSTRIES			
NO-THREAD CONNECTOR & COUPLINGS			
SIZE	DWG NO.	REV	
A4	RT250	A	
DATA SHEET			