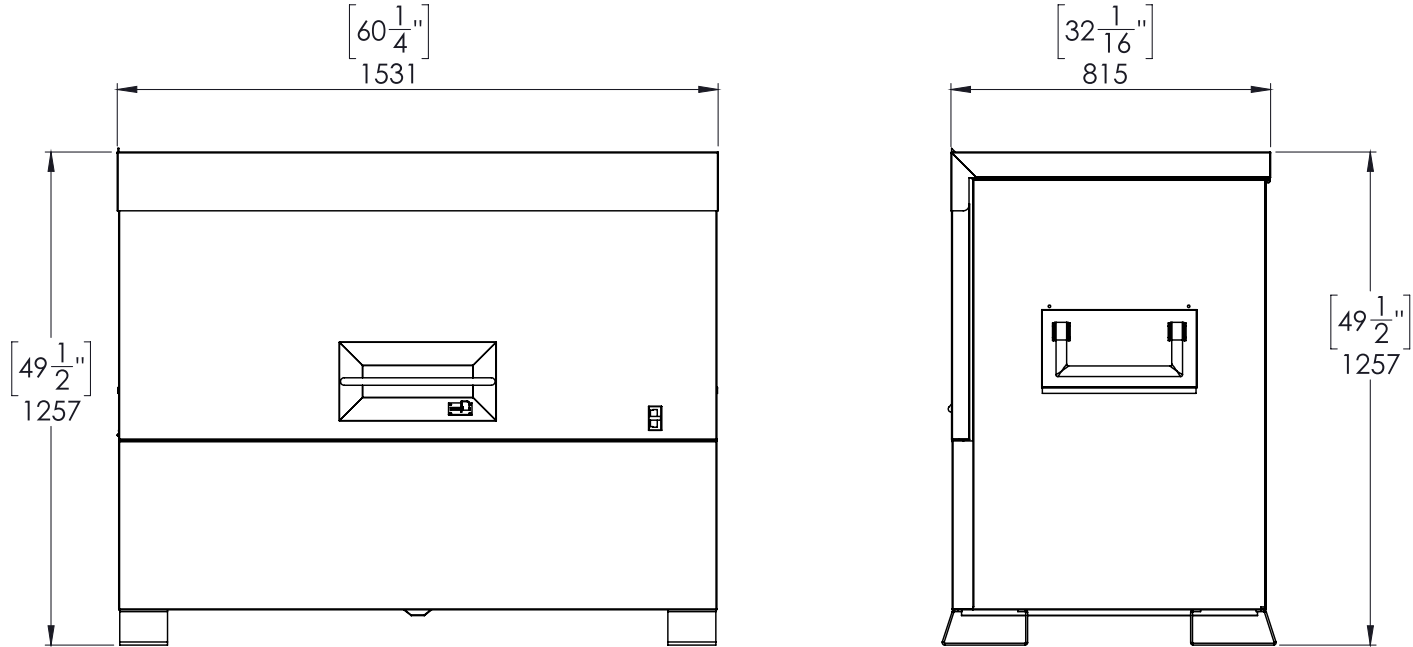
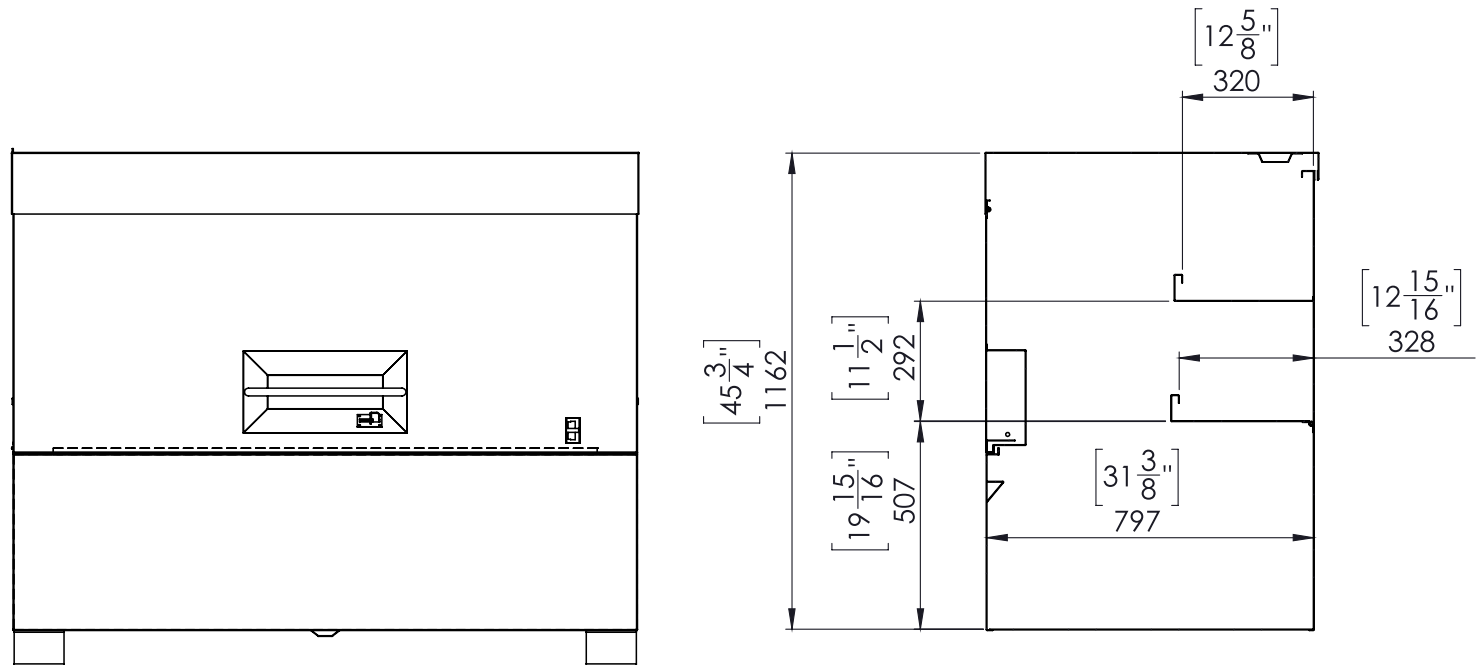


# PIANO BOX - PB603049 (59822401)

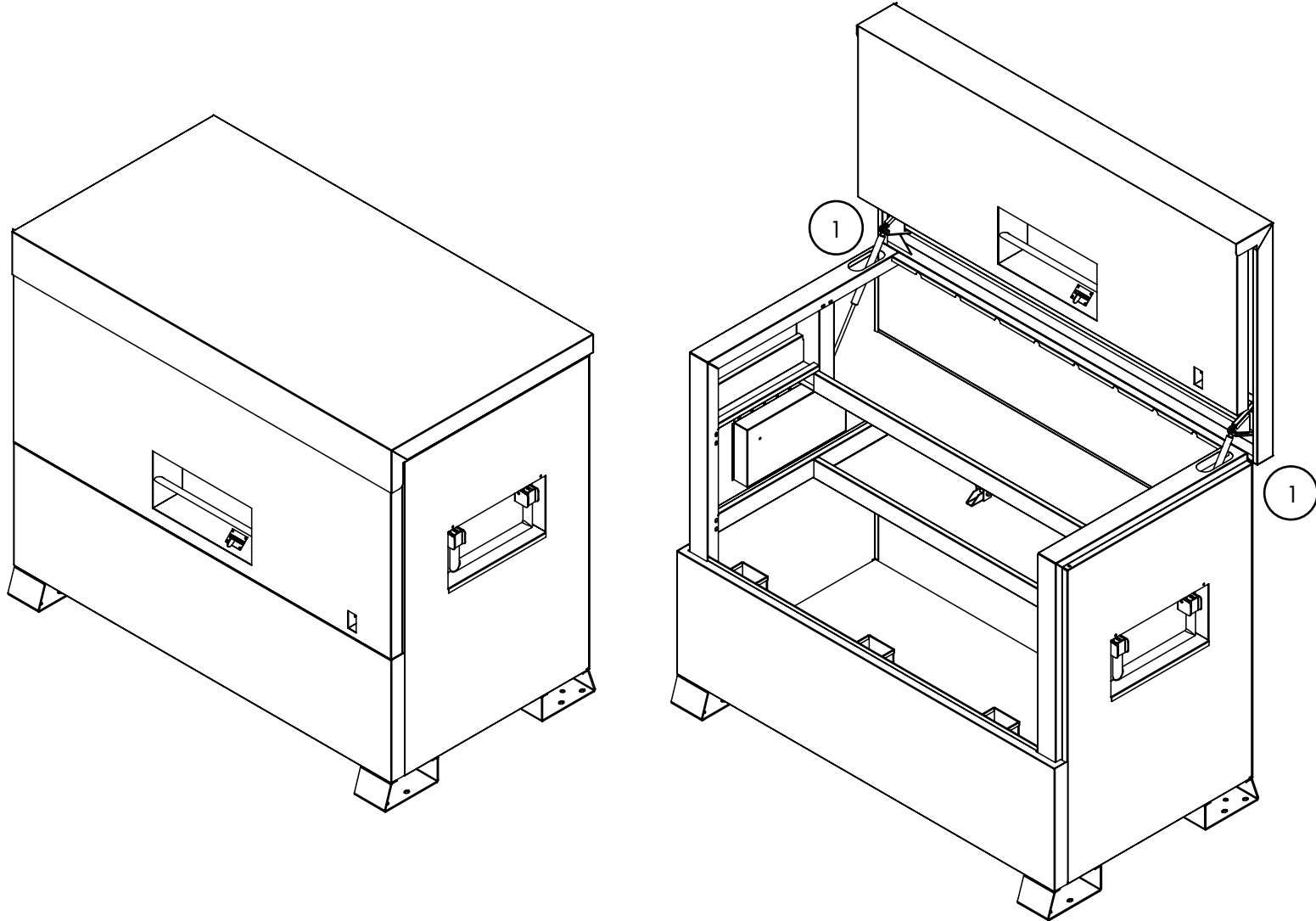
## OUTER DIMENSIONS



## INNER DIMENSIONS



# PIANO BOX - PB603049 (59822401)



Item	Part No.	Description	Qty
1	65272640	Piano Box Shocks	2
-	779025	Optional Caster Kit That Contains 779008 and 779009	-
-	779008	6" Swivel Casters	2
-	779009	6" Rigid Casters	2