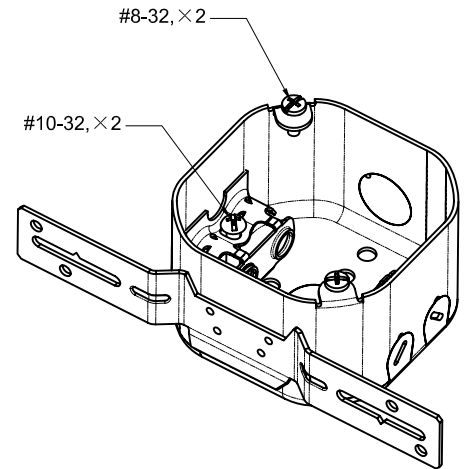
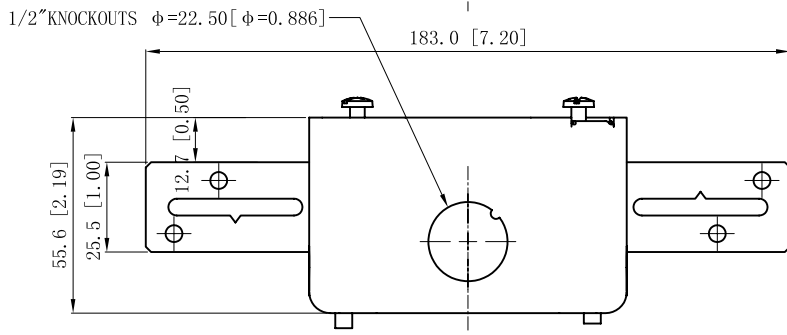
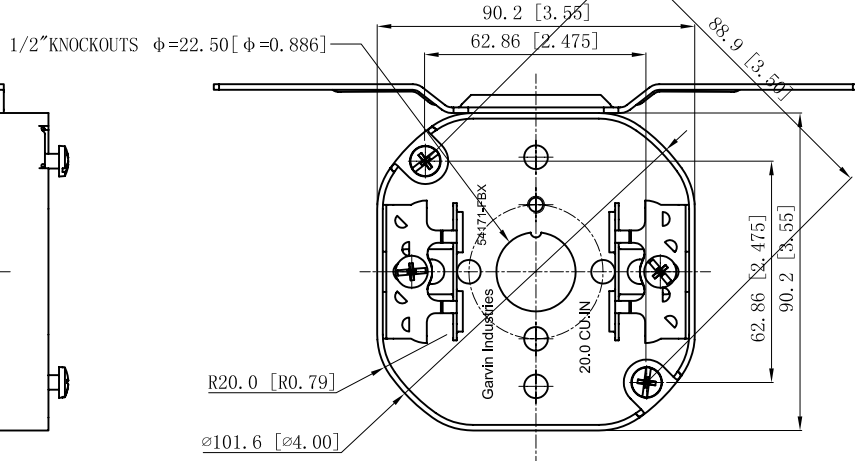
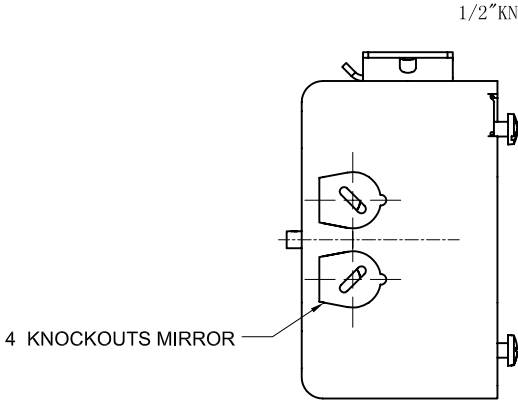
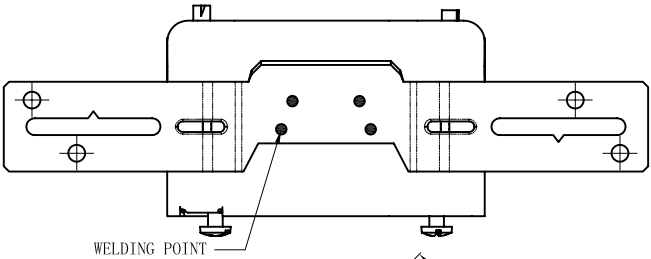


<b>SIDES</b>	<b>BOTTOM</b>
1/2"KNOCKOUTS	1/2"KNOCKOUTS
4KNOCKOUTS	
2 PCS 8-32×1/2 Screws Installed	
2 PCS 10-32×1 Screws Installed	
Material:Steel-0.0625"-G60 Galvanized	



This data sheet is for reference only.GARVIN INDUSTRIES reserves the right to make changes to the design without prior notice.

DESCRIPTION
TRADE REFERENCE TERMS

STANDARD PACKING
25 PCS

<b>GARVIN INDUSTRIES</b>		
4"OCTAGON BOXES 2-1/8"DEEP		
TITLE	DWG NO.	REV
SIZE	54171-FBX	
A4	DATA SHEET	