

LED Outdoor Area Light



SUGGESTED APPLICATIONS

- Outdoor commercial and residential applications
- Large areas such as parking lots, loading docks, pathways, and work areas
- General security lighting
- Barn lighting
- Mounts directly to surface or pole (pole and hardware included)

FEATURES

- Power and color temperature selectable models available and offer nine configurations in one convenient fixture
- Breather prevents moisture in the lens/body of the fixture
- Twist-lock photocell base has four positions to aim photocell as needed
- Keyhole allows for ease of mounting to surface
- Die-cast aluminum housing with impact resistant polycarbonate lens
- Uniform light distribution
- Available in bronze or gray powder coat finishes



LED Outdoor Area Light

GENERAL SPECIFICATIONS

Input Voltage/Frequency: 120-277V, 60Hz
Power Factor, THD %: >0.9, <20%
Efficacy: Up to 166 LPW
Functional Life (L70): 50,000 hours
Minimum CRI: 80

Dimmable: 0-10V¹
Location Rating: Wet
IES Distribution: Type V
Surge Protection Rating: 10kV
BUG Rating: B3-U3-G1

Ambient Operating Temperature: -40°F to 122°F
Construction: Die-cast aluminum
Typical Mounting Height: Up to 20'
Power Cord/Leads: 18AWG, 6" Leads
Includes arm and mounting hardware

ITEM SPECIFICATIONS / ORDER INFO

Catalog Number	Order Code	Max. Lumens	Wattage	Input Current @120-277V	CCT	Housing Color	DLC ID [†]
ARL-BL-40W-50K-BZ	73574	5,812	40W	0.4/0.17A	5000K	Bronze	PLPSHD3NOEEA
ARL-BL-60WPCTS-GR	73576	4,973	30W	30W=0.3/0.13A	3000K	Gray	PLHC2H3IL5XX
		6,537	40W	40W=0.4/0.17A	4000K		
		9,285	60W	60W=0.6/0.26A	5000K		
ARL-BL-60WPCTS-BZ	73575	4,973	30W	30W=0.3/0.13A	3000K	Bronze	PLHC2H3IL5XX
		6,537	40W	40W=0.4/0.17A	4000K		
		9,285	60W	60W=0.6/0.26A	5000K		

NOMENCLATURE

ARL = Area Light - BL = Barn Light - **40W** = 40 Watts - **50K** = 5000K CCT - **BZ** = Bronze
60W = 30|40|60 Watts **PCTS** = Power and CCT Select **GR** = Gray

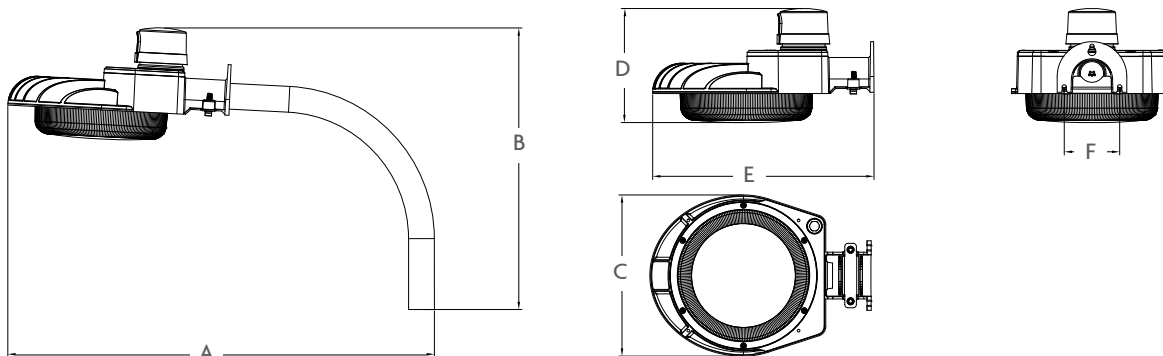
ENERGY SAVINGS

Based on 12 hours/day and \$0.11/kWh

Catalog Number	LED Wattage	HID Replacement Wattage	Wattage Saved	Yearly Savings	5 Year Savings
ARL-BL-40W-50K-BZ	40W	175W	135W	\$65.04	\$325.22
ARL-BL-60WPCTS-xx	30W	150W	120W	\$57.82	\$289.08
ARL-BL-60WPCTS-xx	40W	175W	135W	\$65.04	\$325.22
ARL-BL-60WPCTS-xx	60W	275W	215W	\$103.59	\$517.94

DIMENSIONS/WEIGHTS

Catalog Number	(A)	(B)	(C)	(D)	(E)	(F)	Fixture Weight
ARL-BL-40W-50K-BZ	26.1"	17.2"	9.8"	6.9"	13.5"	3.4"	5.51 Lbs.
ARL-BL-60WPCTS-xx	26.1"	17.2"	9.8"	6.9"	13.5"	3.4"	5.95 Lbs.



NOTES

[†]DLC Primary Use Designation: Outdoor Full-Cutoff Wall-Mounted Area Luminaires
¹Dimming with standard 0-10V control system or wall dimmers. Dimming complies with IEC60929 Annex E. Fixture may not be compatible with all dimmers. Dimming performance may vary based on selected dimmer. Visit www.topaz-usa.com/led-dimmer-compatibility for up-to-date dimmer compatibility information.
 Specifications subject to change without prior notice. Replacement wattage shown depends on application and fixture.
 This device complies with Part 15 of the FCC Rules. Operation is subject to the following two conditions: (1) this device may not cause harmful interference, and (2) this device must accept any interference received, including interference that may cause undesired operation.
FIVE (5) YEAR LIMITED WARRANTY: SOUTHWIRE COMPANY, LLC. For details visit: www.topaz-usa.com/warranty
WARNING: Some products included in this specification may be subject to the warning requirements of California's Proposition 65. Please refer to product packaging for more information.