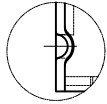
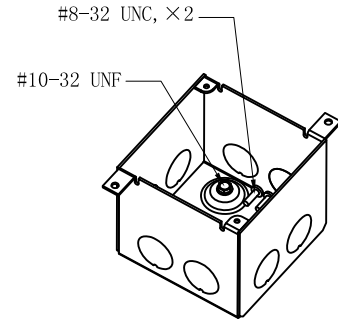
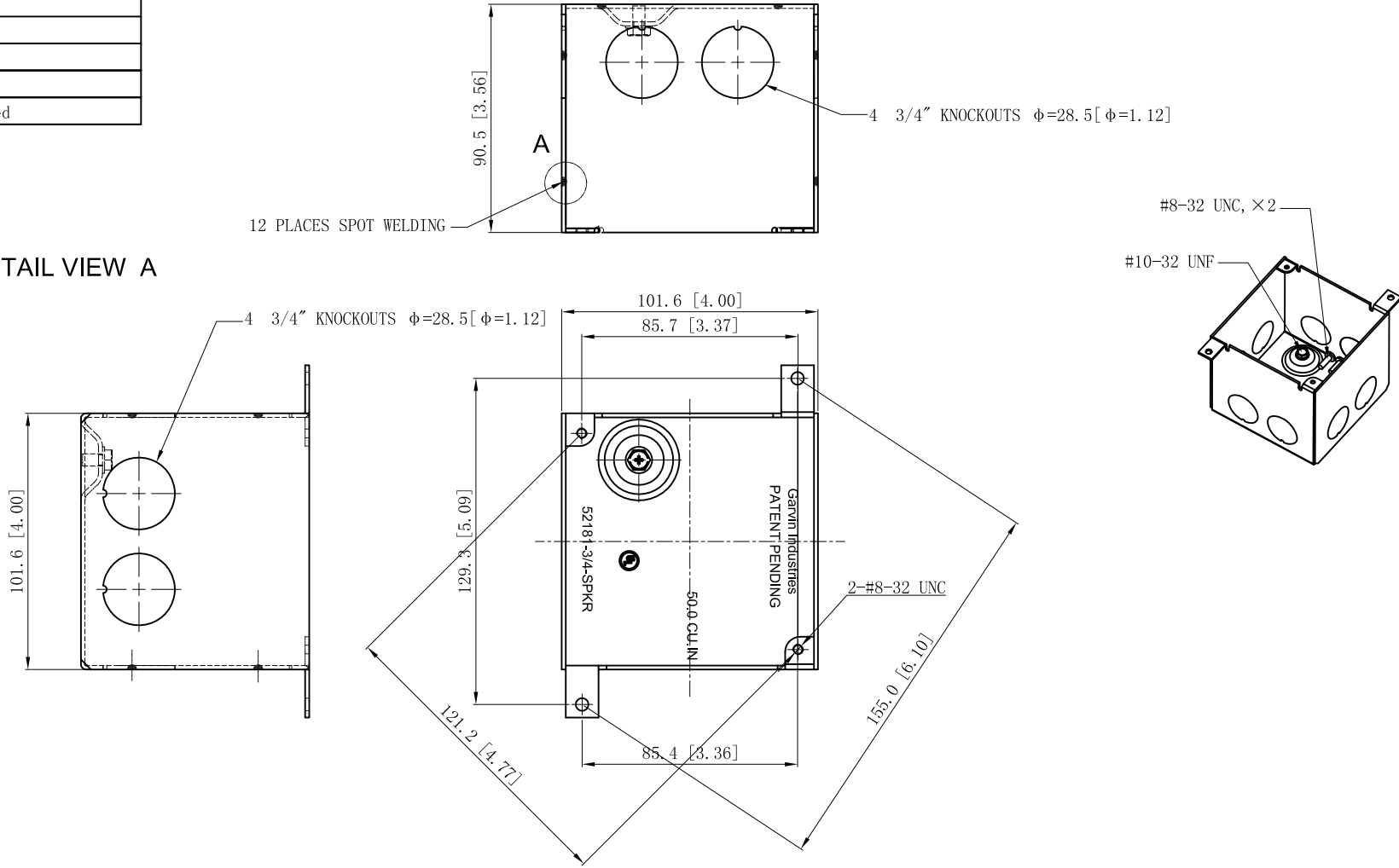


|  |               |
|--|---------------|
| <b>SIDES</b>                           | <b>BOTTOM</b> |
| 8 3/4" KNOCKOUTS                       | 1 Ground Hump |
| 1 PCS 10-32×3/8 Screws Installed       |               |
| 2 PCS 8-32×1/2 Screws Installed        |               |
| Material: Steel-0.0625"-G60 Galvanized |               |



WELDING STYLE DETAIL VIEW A



This data sheet is for reference only .GARVIN INDUSTRIES reserves the right to make changes to the design without prior notice.

|                       |
|-----------------------|
| DESCRIPTION           |
|                       |
| TRADE REFERENCE TERMS |
|                       |

|                  |                             |         |     |
|------------------|-----------------------------|---------|-----|
| STANDARD PACKING | TITLE                       |         |     |
|                  | GARVIN INDUSTRIES           |         |     |
| 25 PCS           | 4" SQUARE BOXES 3-1/2" DEEP |         |     |
|                  | SIZE                        | DWG NO. | REV |
| A4               | 52181-3/4-SPKR              | B       |     |
| DATA SHEET       |                             |         |     |