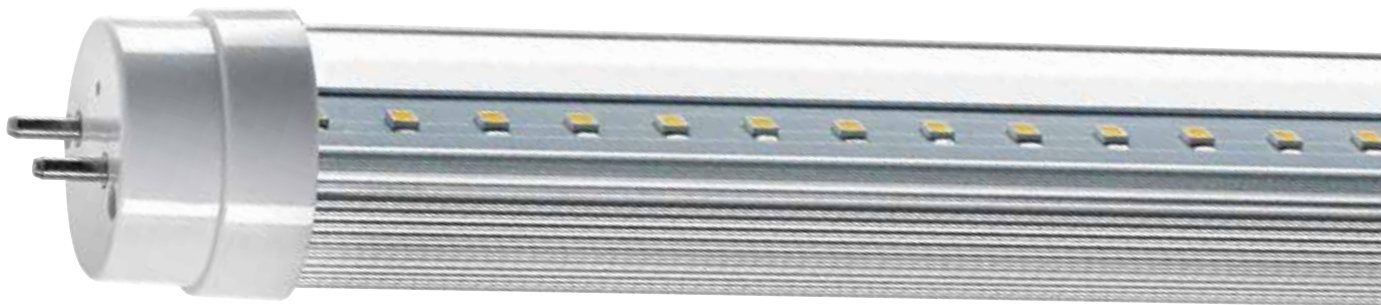


LED LINEAR T8-BALLAST BYPASS 4' SINGLE-ENDED



SUGGESTED APPLICATIONS

- Office, retail, hospitality, warehouse

FEATURES

- Bypass single-end connection*
- Polycarbonate lens and aluminum heat sink
- Non-shunted lampholder included
- Extremely long life and energy efficient
- No mercury
- Easy and safe replacement for fluorescent T8 systems

*Specifications are subject to change without prior notice.
* Requires non-shunted lampholder for single-end connection*



LED LINEAR T8-BALLAST BYPASS 4' SINGLE-ENDED

GENERAL SPECIFICATIONS

Specs

- 18W
- 120-277V
- 82 CRI
- Functional Life (L70): 50,000 hrs.
- 130° Beam angle
- -20°C to 40°C Ambient temperature

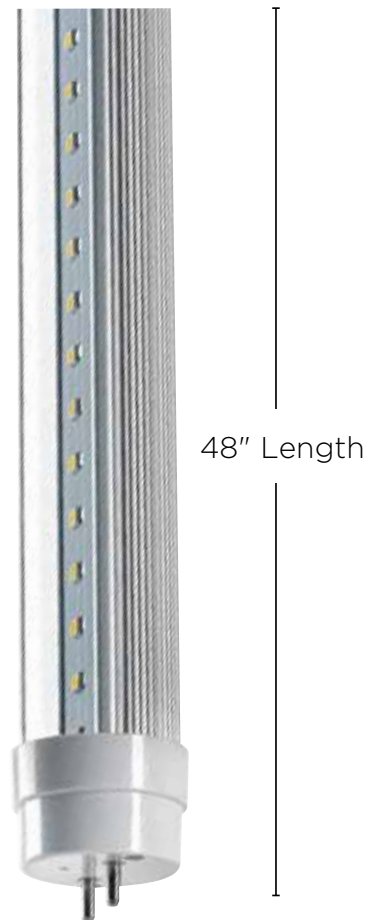
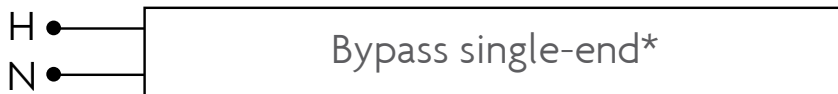
ITEM SPECIFICATIONS / ORDER INFO

Catalog Number	Product Code	UPC Code	Color Temp	Wattage	Lumens	LPW	Case Qty
L4T8B/835/18C/SE-75	71041	751338015753	3500K	18W	2,088	116	1/20
L4T8B/840/18C/SE-75	71042	751338015760	4000K	18W	2,124	118	1/20
L4T8B/850/18C/SE-75	71043	751338015777	5000K	18W	2,160	120	1/20
L4T8B/860/18C/SE-75	71044	751338015784	6000K	18W	1220	122	1/20

This device complies with Part 15 of the FCC Rules. Operation is subject to the following two conditions: (1) this device may not cause harmful interference, and (2) this device must accept any interference received, including interference that may cause undesired operation.

* Requires non-shunted lampholder for single-end connection

WARNING: Some products included in this specification sheet may be subject to the warning requirements of California's Proposition 65. Please refer to your product packaging for more information.



G13 Bi-pin Base