



Southwire™

EMT 90° CONNECTORS

COMPRESSION TYPE - ZINC DIE CAST

FEATURES

- Concrete tight
- Exceptional wire pulling capability

APPLICATION

- Indoor or outdoor use
- Use to connect EMT conduit to a steel outlet box or enclosure where a large radius is desired

STANDARD MATERIAL

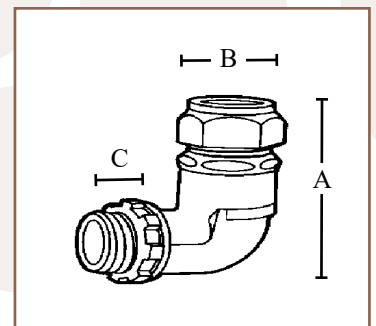
- Zinc die cast

CERTIFICATIONS

- UL



431



PART #	SIZE	INNER QTY.	MASTER QTY.	WEIGHT/ CASE (LBS.)	A	B	C
431	1/2"	25	250	50	1.75"	.83"	.52"
432TZ	3/4"	20	200	52	1.86"	.95"	.52"
433	1"	10	100	46	2.21"	1.12"	.67"

Rev. 0, 01/23

**BUILT FOR DURABILITY.
BUILT FOR RELIABILITY.
BUILT FOR WORK.™**

1-855-798-6657 | SOUTHWIRE.COM

©2023 Southwire Company, LLC. All rights reserved.
*Registered Trademark & ™Trademark of Southwire Company, LLC.