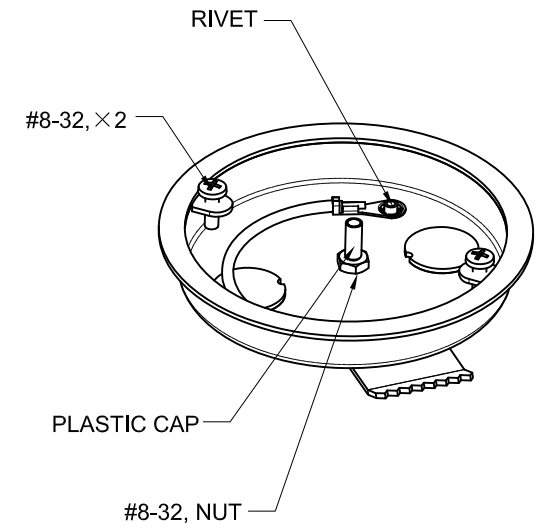
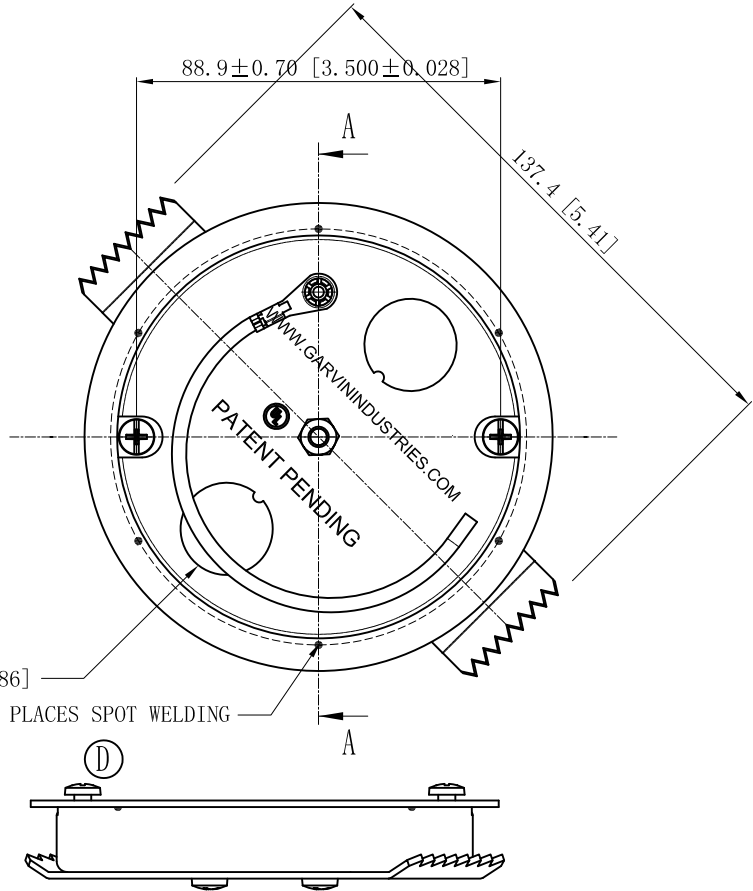
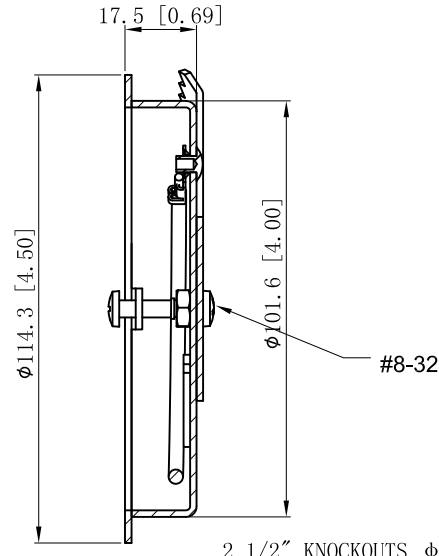


SIDES	BOTTOM
	2 1/2" KNOCKOUTS
2 PCS #8-32×1/2 Screws Installed	
1 PCS #8-32×1 1/4 Screws Installed	
1 PCS #8-32 nuts	
Rivet a #12 ga stranded green grounding pigtail of the box	
Material:Steel-0.0625"-G60 Galvanized	



This data sheet is for reference only .GARVIN INDUSTRIES reserves the right to make changes to the design without prior notice.

DESCRIPTION
TRADE REFERENCE TERMS

STANDARD PACKING
50 PCS

<b>GARVIN INDUSTRIES</b>		
TITLE "4"ROUND CEILING PLATES&FAN BOX		
SIZE A4	DWG NO. 56111-OW	REV F
DATA SHEET		
www.garvinindustries.com		