

Items:
F-L4/CABLE/CTS-87
F-L8/CABLE/CTS-87

SUSPENDED CABLE KIT FOR LED LINEAR STRIP LIGHT CCT SELECTABLE INSTALLATION INSTRUCTIONS

Warnings to avoid risk of electrical shock

- Make certain electrical supply is OFF before energizing fixture
- Make all electrical and grounded connections in accordance with local codes or the National Electrical Code. Failure to do so may result in serious personal injury.
- All wiring connections must be done by a qualified electrician and should be capped with UL approved connectors.
- To avoid risk of burn be sure fixture temperature is cool enough to touch before handling.
- While the light is on, please avoid direct eye exposure.
- Combustible materials should be kept away from fixture/lens.

Parts List

F-L4/CABLE/CTS-87



Parts :

(2) Suspending cables

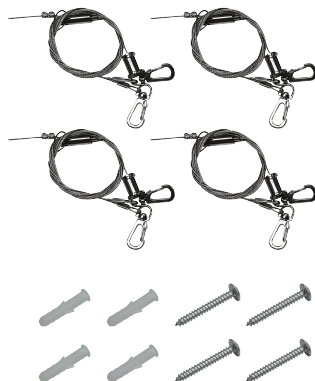
● Diameter- .05"

● Length- 59"

(2) Screws

(2) Anchors

F-L8/CABLE/CTS-87



Parts :

(4) Suspending cables

● Diameter- .05"

● Length- 59"

(4) Screws

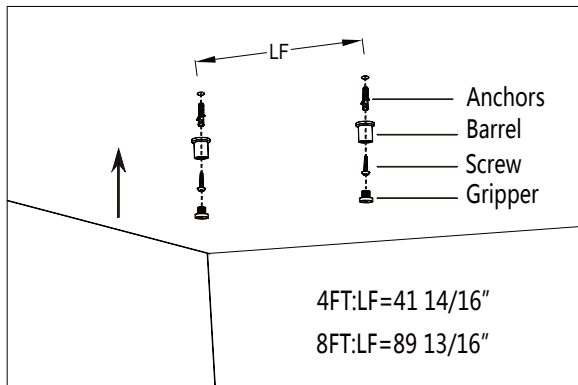
(4) Anchors

Items:
F-L4/CABLE/CTS-87
F-L8/CABLE/CTS-87

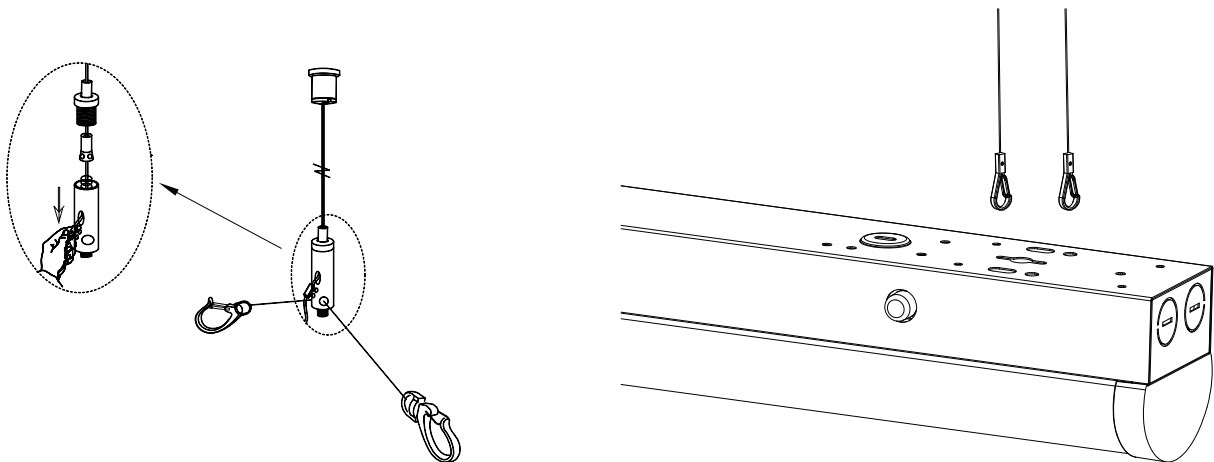
SUSPENDED CABLE KIT FOR LED LINEAR STRIP LIGHT CCT SELECTABLE INSTALLATION INSTRUCTIONS

Suspended Installation

1. Unscrew the gripper from the barrel. Screw the barrel onto the desired structure support using anchor and screw.



2. Then, tighten gripper back to the barrel and adjust to desired length of cable. Clip-on to the keyholes of the fixture.

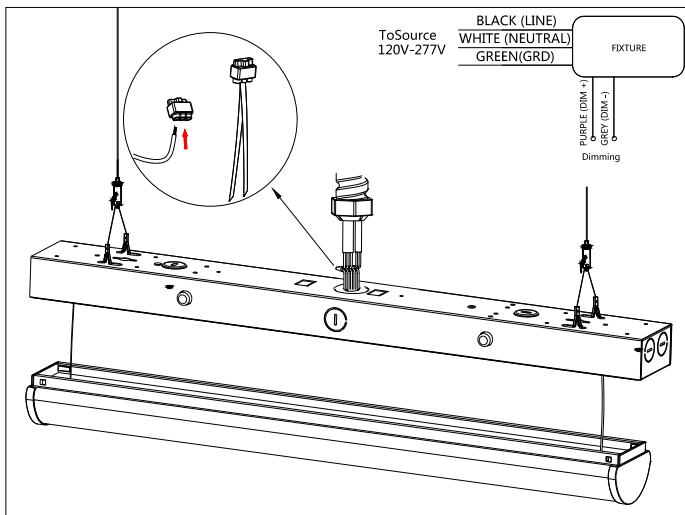


3. Repeat step 2 four times.

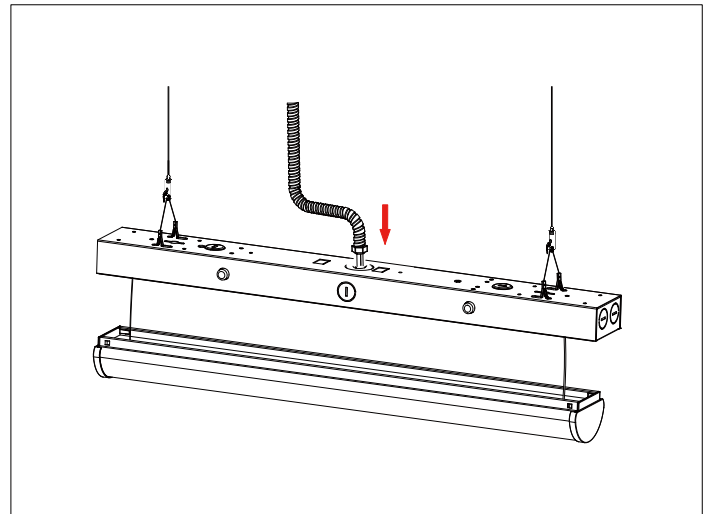
Items:
F-L4/CABLE/CTS-87
F-L8/CABLE/CTS-87

SUSPENDED CABLE KIT FOR LED LINEAR STRIP LIGHT CCT SELECTABLE INSTALLATION INSTRUCTIONS

4. Make certain electrical supply is OFF before energizing fixture. Make supply connection to the pre-installed cord using the wiring diagram.



5. Insert the conduit cable and fully secure.



6. Secure the LED Cover to the Housing by Pressing upward and lock it with springs tightly located into the fixture. Energize the luminaire to verify operation.

