



Southwire™

COMBINATION COUPLINGS

SET SCREW TO CLAMP TYPE - EMT TO BX OR NM CABLE - ZINC DIE CAST

FEATURES

- Set screw to clamp type
- Combination coupling used to join NM cable to EMT

APPLICATION

- Indoor use only
- Use to join EMT to nonmetallic sheathed cable, #14/2, #12/3 or 2 #14/2

STANDARD MATERIAL

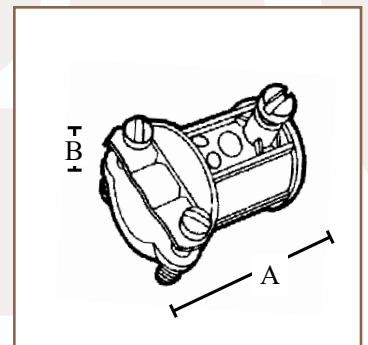
- Zinc die cast
- Zinc plated steel strap

CERTIFICATIONS

- cULus



180



PART #	SIZE	INNER QTY.	MASTER QTY.	WEIGHT/ CASE (LBS.)	A	B (MIN. – MAX.)
180	3/8" – 1/2"	50	500	40	1.35"	.17" – .63"

Rev. 0, 02/23

**BUILT FOR DURABILITY.
BUILT FOR RELIABILITY.
BUILT FOR WORK.™**

1-855-798-6657 | SOUTHWIRE.COM

©2023 Southwire Company, LLC. All rights reserved.
*Registered Trademark & ™Trademark of Southwire Company, LLC.