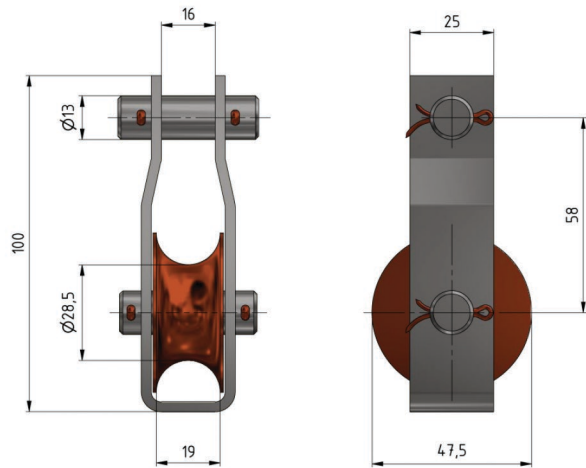


Pulley for contact wire suspension

Item number 300221



Material and weight

Weight: 0.390 kg
Material: Cu



Southwire™



A COLAS RAIL COMPANY

Contact Us: Transit@southwire.com