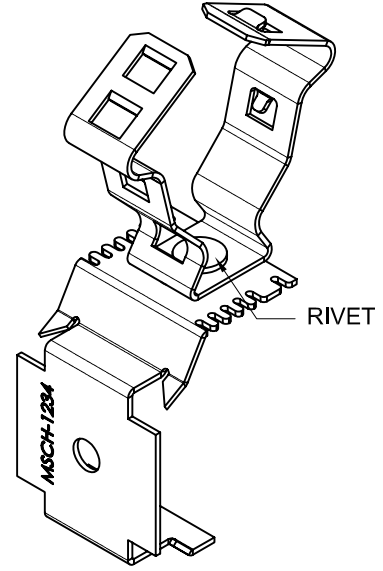
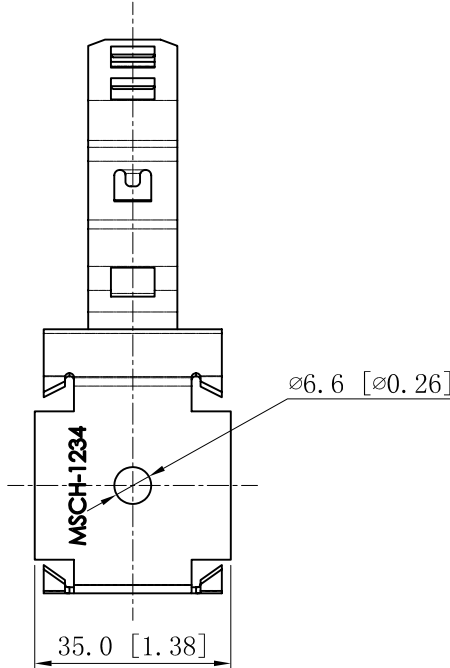
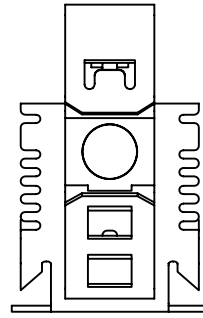
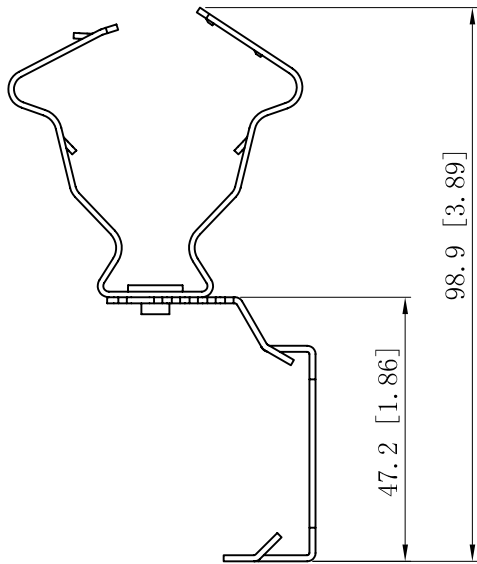


SIDES	BOTTOM
Material:Steel-0.043~65Mn spring steel,Mechanical galvanized	



DESCRIPTION
TRADE REFERENCE TERMS

This data sheet is for reference only .GARVIN INDUSTRIES reserves the right to make changes to the design without prior notice.

STANDARD PACKING

<h1>GARVIN INDUSTRIES</h1>		
TITLE		
SIZE	DWG NO.	REV
A4	MSCH-1234	
DATA SHEET		