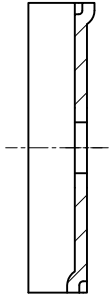
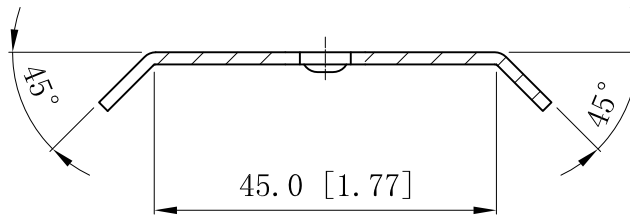
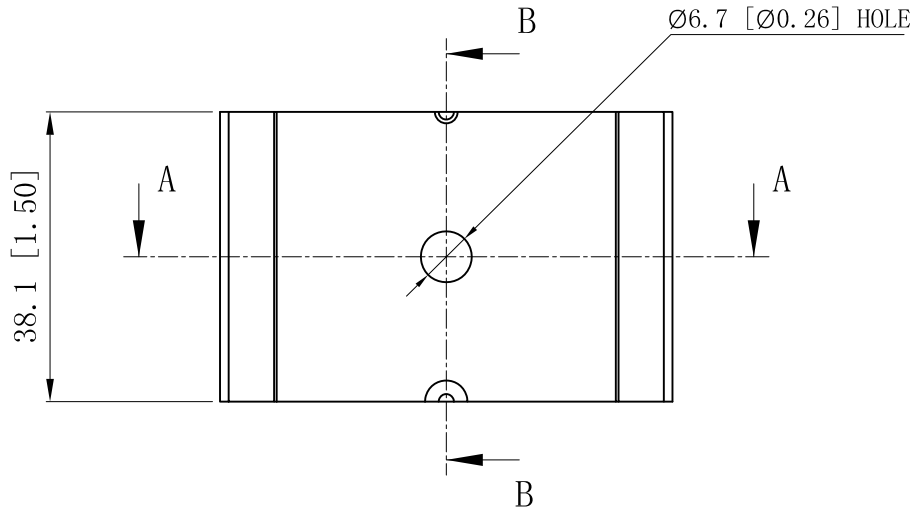


SIDES	BOTTOM
Material: Steel-(0.050"-0.0625")-G60 Galvanized	



VIEW B-B



VIEW A-A

This data sheet is for reference only .GARVIN INDUSTRIES reserves the right to make changes to the design without prior notice.

DESCRIPTION
TRADE REFERENCE TERMS

STANDARD PACKING
200 PCS

<b>GARVIN INDUSTRIES</b>		
TITLE ELECTRICAL TRADE WASHERS		
SIZE A4	DWG NO. 23WBJ	REV A
DATA SHEET		