



Southwire™

EMT STRAPS

SNAP-ON TYPE - TWO HOLE - STEEL

FEATURES

- Snap-on type EMT strap with two holes
- Greater load bearing capability
- Easy to install

APPLICATION

- Indoor or outdoor use
- Use to support EMT conduit to wood, masonry or where greater load bearing is required

STANDARD MATERIAL

- Steel

STANDARD FINISH

- Zinc plated

CERTIFICATIONS

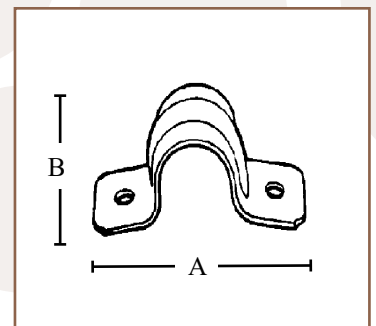
- UL Standard: UL 2239
- Fed. Spec: W-F-406E, W-F-406D
- NEMA: FB1-2014



522

PART #	EMT SIZE	BOX QTY.
THS-25	1/4"	50
THS-38	3/8"	50
521TZ	1/2"	500
522	3/4"	500
523	1"	250
524	1-1/4"	50
525	1-1/2"	50
526	2"	50
527*	2-1/2"	50
528TZ*	3"	25
529TZ*	3-1/2"	25
530TZ*	4"	20

*EMT and Rigid



Rev. 0, 01/23

**BUILT FOR DURABILITY.
BUILT FOR RELIABILITY.
BUILT FOR WORK.™**

1-855-798-6657 | SOUTHWIRE.COM

©2023 Southwire Company, LLC. All rights reserved.
*Registered Trademark & ™Trademark of Southwire Company, LLC.